

# 3arm®

## ERGONOMIC TOOL BALANCERS

FOR SITES THAT WANT TO GET  
THE JOB DONE RIGHT!

# SERIES 7



**Supports tooling from 10kg to 60kg  
reducing fatigue and potential injury.**

- Finger touch balance and controls
- Safety brakes for tool removal
- Removes operator's hands from dangerous pinch zones.
- Ease of operation attracts a diverse workforce.
- Longterm health benefits achieved through minimising the transfer of vibration to operators
- Global product with Local support
- Ergonomically and vibration analysis tested.



# POWERFUL BALANCE FOR HEAVYWEIGHT... IN YOUR WORK

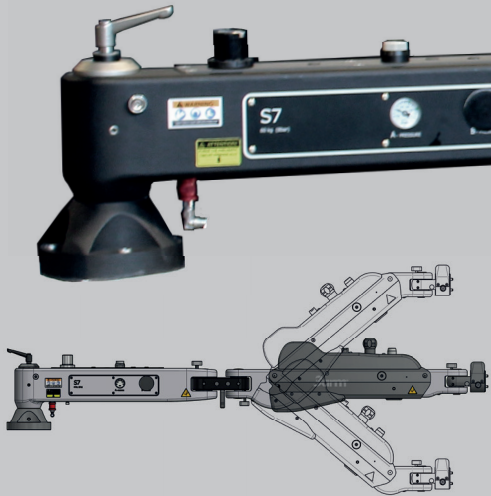
REACH		MAX. up to	TORQUE up to
↑ VERT.	→ HORZ.		
707 mm	1670 mm	60 kg	1200 Nm
27 in	65 in	132 lbs	885 ft-lb

Ergonomic and optimized arm for the most heavy duty power tools in the market. Features brake locking system and a range of headmembers that offer solutions for a wide variety of applications.



Compact arm for big solutions

For the applications with the most demanding tools



ORIENTATION

7 PS	Floor Mounted
7 AS	Ceiling Mounted

COMPATIBLE HEAD MEMBERS

B, BA, E, EA, J, L, LB, K, Q, U, Z

BRAKE OPTIONS

L50	Manual Locking base
L11	Manual
L22	Pneumatic
L92	Tool Trigger Activated

TORQUE RECOMMENDATIONS

Work	Head Member	Max. Torque	
		Nm	ft-lbs
	VERTICAL		
	B7: Stationary Flat with Ring	1200	885