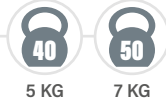
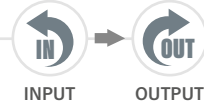


TA07.2P

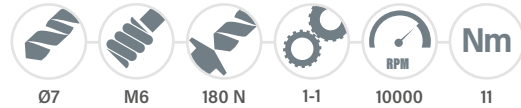
TESTA AD ANGOLO - ANGLE HEAD



PESO
WEIGHT



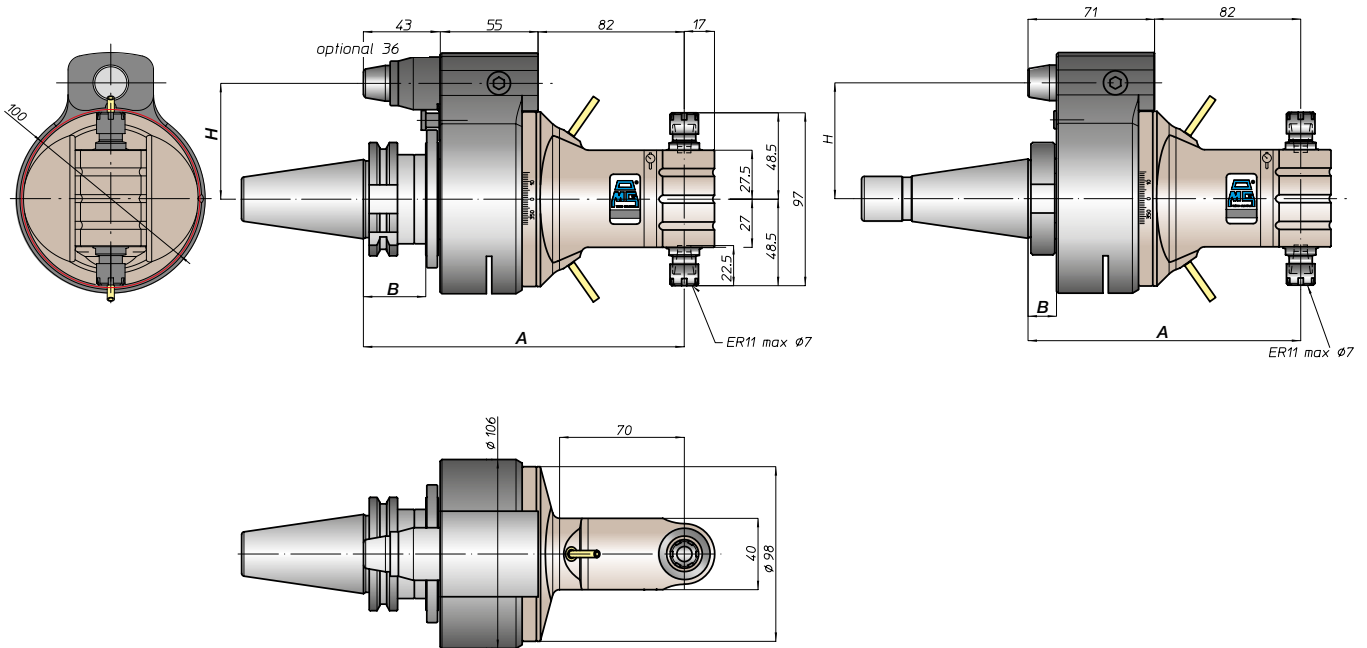
ROTAZIONE
ROTATION



CARATTERISTICHE
FEATURES



MANDRINI
DISPONIBILI
AVAILABLE
SPINDLES



CONO
SHANK

	DIN69871				CAT ANSIB5.50		BT		HSK DIN69893			CAPTO ISO26623			KM			DIN2080		ANSIB5.18		
SIZE	30	40	45	50	40	50	40	50	63	80	100	C5	C6	C8	63	80	100	40	50	40	50	
A	180				180		180	188	189			184			180			150	153	150	153	
B	35				35		35	45	44	46		39	41						13	16	13	16
H STANDARD	65	80			65	80	65	80	65	80		65	80		65	80		65	80	65	80	
H OPTIONAL	110				110		110		110			110			110			110		110		

For DIN69871, ANSIB5.50 and BT, dual contact as option

