

FH

BAH

TA.CP

TA

MOX

HT

4-23

VH

TSI/TSX

T

MT-TC-TC3

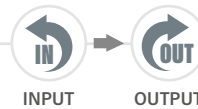


TA07.P

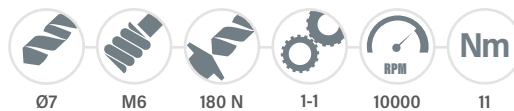
TESTA AD ANGOLO - ANGLE HEAD



PESO
WEIGHT



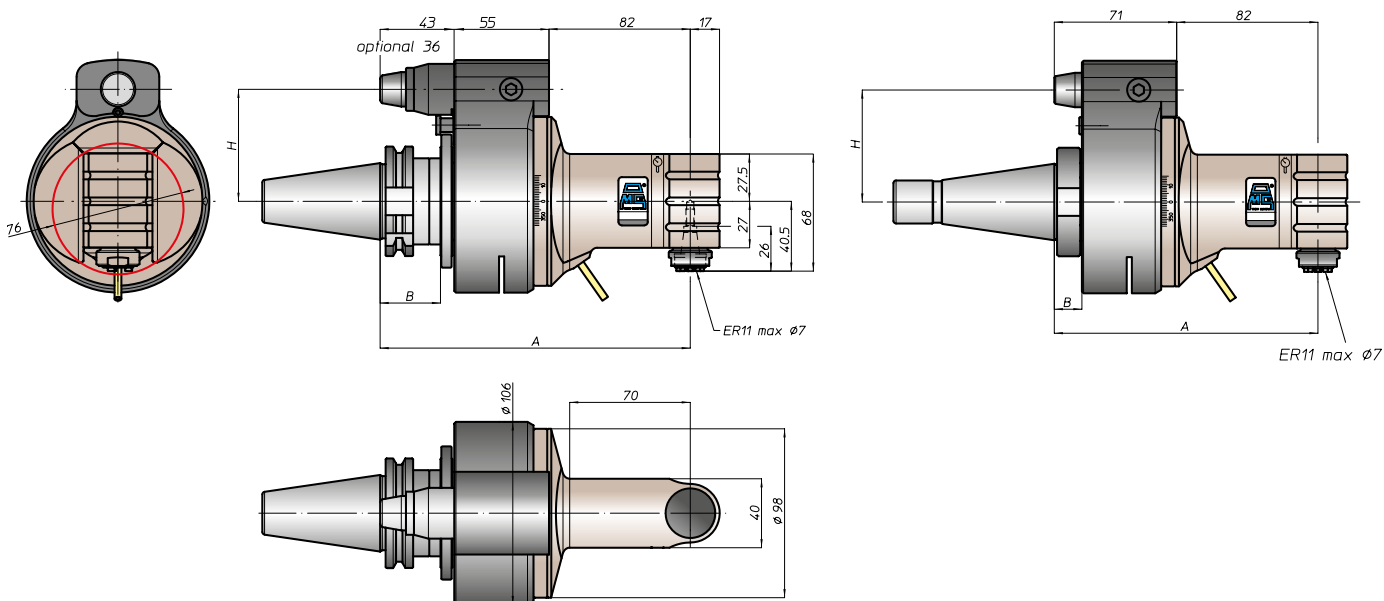
ROTAZIONE
ROTATION



CARATTERISTICHE
FEATURES



MANDRINI
DISPONIBILI
AVAILABLE
SPINDLES



CONO
SHANK



DIN69871



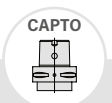
ANSIB5.50



BT



DIN69893



ISO26623



KM



DIN2080



ANSIB5.18

SIZE

30 40 45 50 40 50 40 50

63 80 100

C5 C6 C8

63 80 100

40 50

40 50

A

180

180

180 188

189

184

180

150 153

150 153

B

35

35

35 45

44 46

39 41

13 16

13 16

H STANDARD

65 80

65 80

65 80

65 80

65 80

65 80

65 80

65 80

H OPTIONAL

110

110

110

110

110

110

110

110

For DIN69871, ANSIB5.50 and BT, dual contact as option

