

FH

BAH

TA.CP

TA

MOX

HT

4-55

VH

TSI/TSX

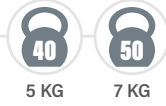
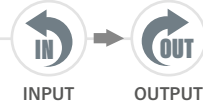
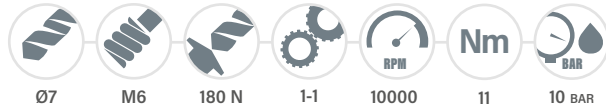
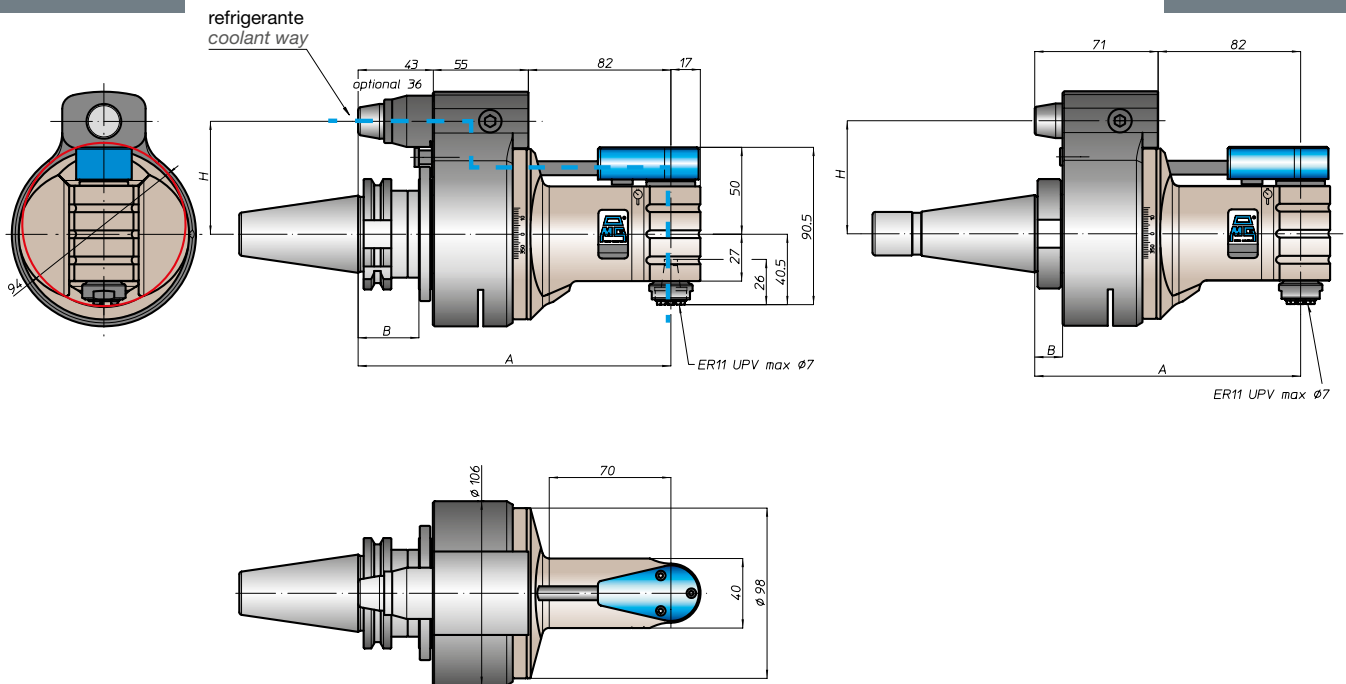
T

MT-TC-TC3



TA07.PD

TESTA AD ANGOLO - ANGLE HEAD

PESO
WEIGHTROTAZIONE
ROTATIONCARATTERISTICHE
FEATURESCONO
SHANK

DIN69871



ANSIB5.50

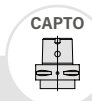


BT



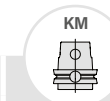
HSK

DIN69893



CAPTO

ISO26623



KM

63 80 100



DIN2080

40 50



ANSIB5.18

40 50

SIZE

30 40 45 50 40 50 40 50 63 80 100

C5 C6 C8

63 80 100

40 50

40 50

A

150 150 150 158 159 154 150 120 123 120 123

B

35 35 35 45 44 46 39 41 13 16 13 16

H STANDARD

65 80 65 80 65 80 65 80 65 80 65 80 65 80 65 80

H OPTIONAL

110 110 110 110 110 110 110 110

For DIN69871, ANSIB5.50 and BT, dual contact as option

