

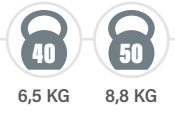


TA07.PL

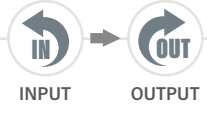
TESTA AD ANGOLO - ANGLE HEAD



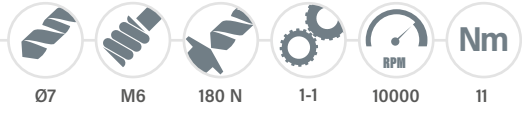
PESO
WEIGHT



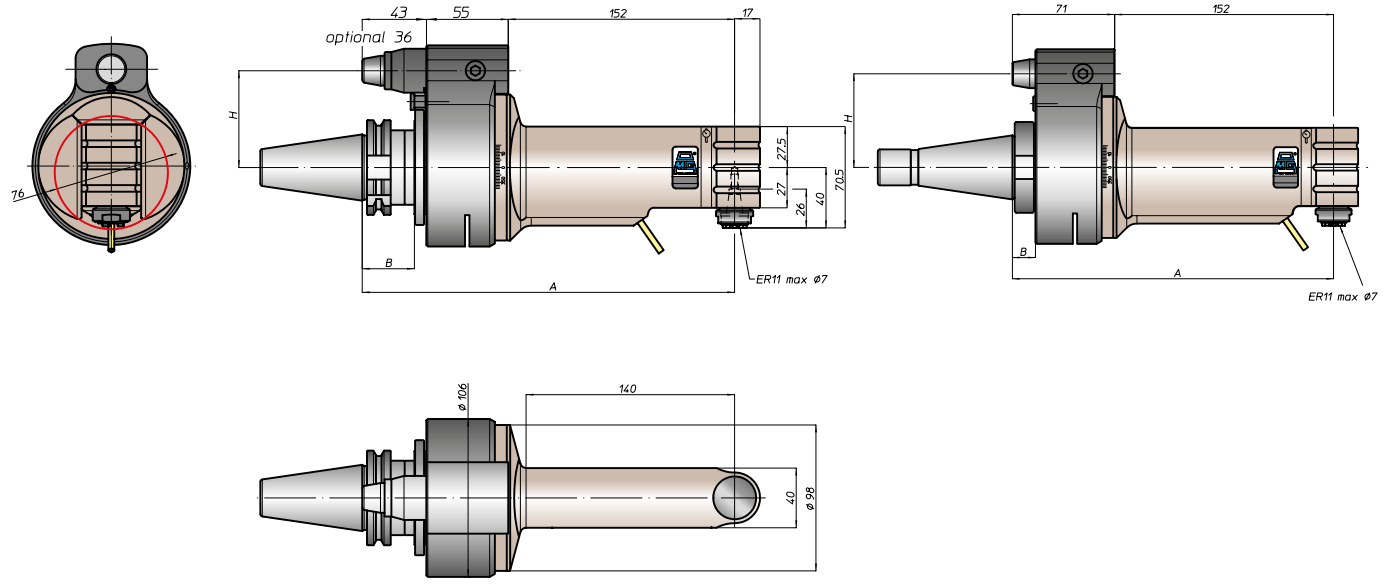
ROTAZIONE
ROTATION



CARATTERISTICHE
FEATURES



MANDRINI
DISPONIBILI
AVAILABLE
SPINDLES



CONO
SHANK

	ANSIB5.50			BT		DIN69893			ISO26623			DIN2080			ANSIB5.18			
SIZE	40	45	50	40	50	63	80	100	C5	C6	C8	63	80	100	40	50	40	50
A	250			250	258	259			254			250			220	223	220	223
B	35			35	45	44	46		39	41				13	16	13	16	
H STANDARD	65	80		65	80	65	80		65	80	65	80		65	80	65	80	
H OPTIONAL		110		110		110				110		110		110		110		

For DIN69871, ANSIB5.50 and BT, dual contact as option