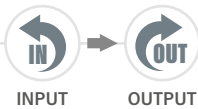


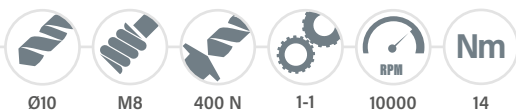
PESO
WEIGHT



ROTAZIONE
ROTATION



CARATTERISTICHE
FEATURES



TA10.2P

TESTA AD ANGOLO - ANGLE HEAD

FH

BAH

TA.CP

TA

MOX

HT

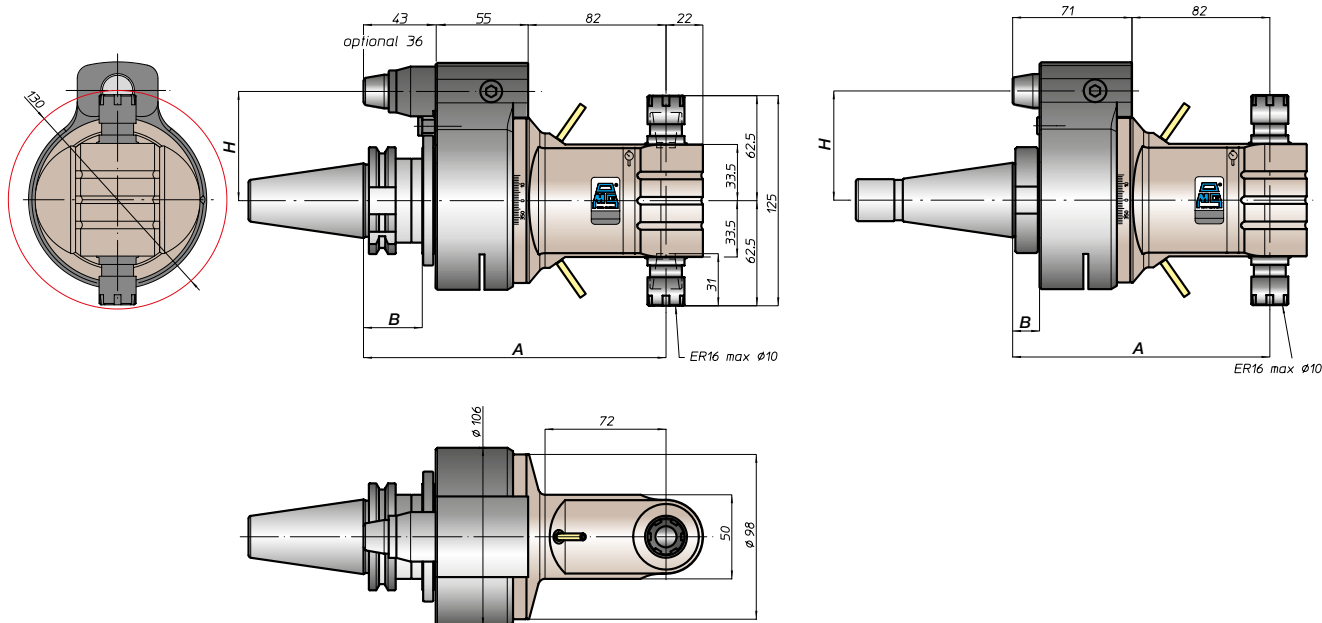
4-50

VH

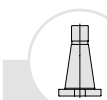
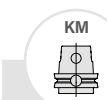
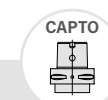
TSI/TSX

T

MT-TC-TC3



CONO
SHANK



SIZE

30 40 45 50 40 50 40 50 63 80 100 C5 C6 C8 63 80 100 40 50 40 50

A

180 180 180 188 189 184 180 150 153 150 153

B

35 35 35 45 44 46 39 41 13 16 13 16

H STANDARD

65 80 65 80 65 80 65 80 65 80 65 80 65 80 65 80

H OPTIONAL

110 110 110 110 110 110 110 110

For DIN69871, ANSIB5.50 and BT, dual contact as option