



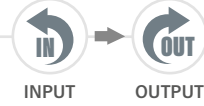
# TA10.P

TESTA AD ANGOLO - ANGLE HEAD



5,8 KG

8 KG

PESO  
WEIGHT

INPUT

OUTPUT

ROTAZIONE  
ROTATION

Ø10

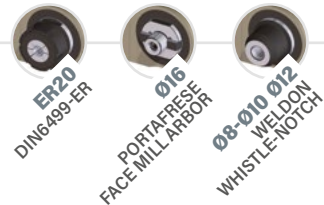
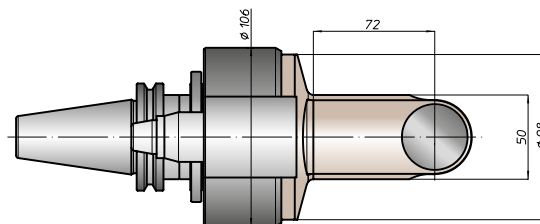
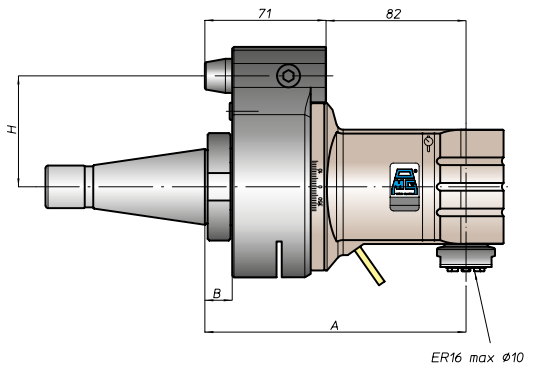
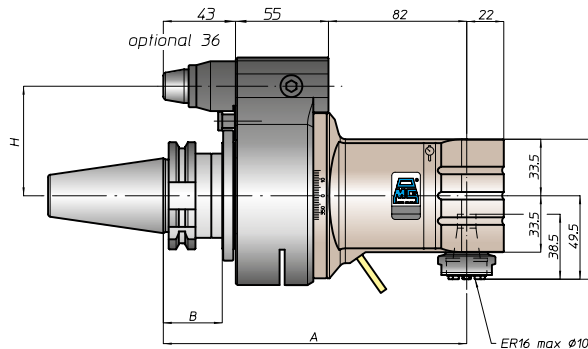
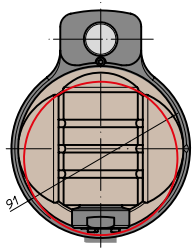
M8

400 N

1-1

10000

14

CARATTERISTICHE  
FEATURESMANDRINI  
DISPONIBILI  
AVAILABLE  
SPINDLESCONO  
SHANK

DIN69871



ANSIB5.50

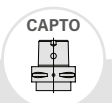


BT



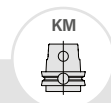
HSK

DIN69893



CAPTO

ISO26623



KM



DIN2080



NMTB

ANSIB5.18

SIZE

30

40

45

50

40

50

40

50

63

80

100

C5

C6

C8

63

80

100

40

50

40

50

A

180

180

180

188

189

184

180

150

153

150

153

B

35

35

35

45

44

46

39

41

13

16

13

16

H STANDARD

65

80

65

80

65

80

65

80

65

80

65

80

65

80

65

80

65

80

65

80

65

80

H OPTIONAL

110

110

110

110

110

110

110

110

110

110

110

110

110

110

110

110

110

110

110

110

110

110

For DIN69871, ANSIB5.50 and BT, dual contact as option

