

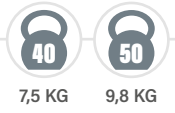


TA10.PL

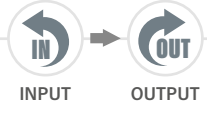
TESTA AD ANGOLO - ANGLE HEAD



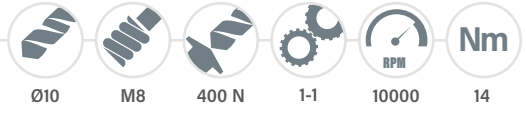
PESO
WEIGHT



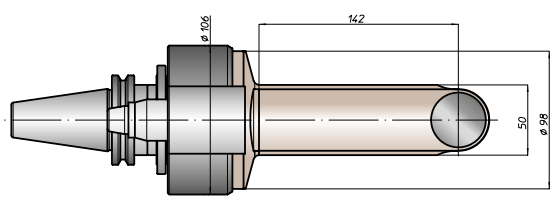
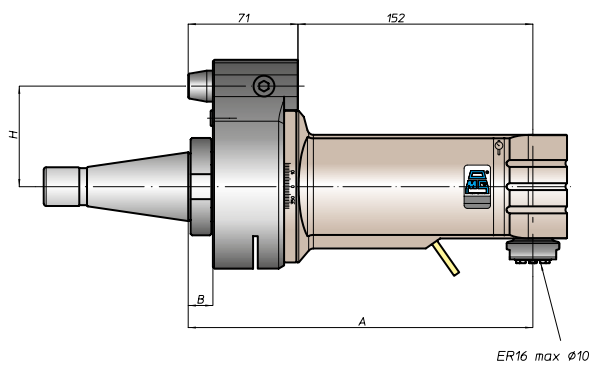
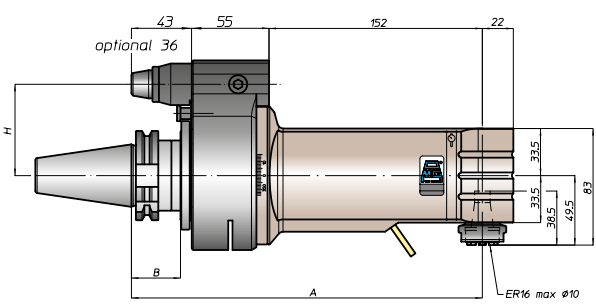
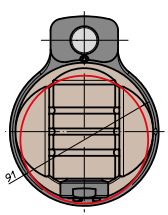
ROTAZIONE
ROTATION



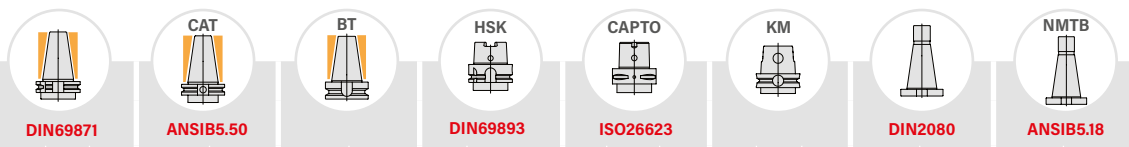
CARATTERISTICHE
FEATURES



MANDRINI
DISPONIBILI
AVAILABLE
SPINDLES



CONO
SHANK



SIZE	DIN69871			ANSIB5.50		BT		DIN69893			ISO26623			KM		DIN2080		ANSIB5.18		
A	40	45	50	40	50	40	50	63	80	100	C5	C6	C8	63	80	100	40	50	40	50
B	35			35		35	45	44	46		39	41		13	16		13	16		
H STANDARD	65	80	65	80	65	80	65	80		65	80	65	80	65	80	65	80	65	80	
H OPTIONAL	110			110			110	110			110		110		110		110		110	

For DIN69871, ANSIB5.50 and BT, dual contact as option