

TA13.2P

TESTA AD ANGOLO - ANGLE HEAD



40
6,5 KG

50
9 KG

PESO
WEIGHT

IN → **OUT**
INPUT OUTPUT

ROTAZIONE
ROTATION

Ø13 **M10** **810 N** **1-1** **8000** **Nm**
38

CARATTERISTICHE
FEATURES



MANDRINI
DISPONIBILI
AVAILABLE
SPINDLES

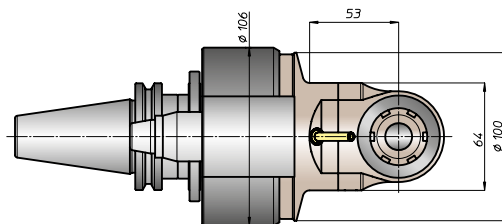
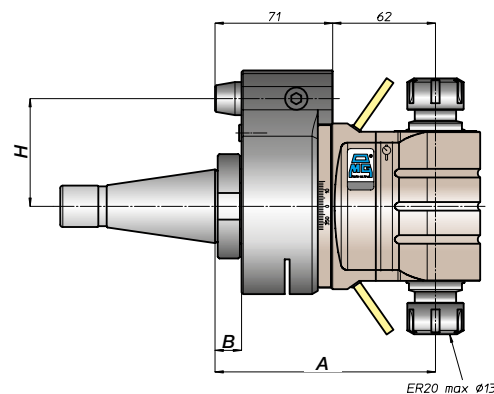
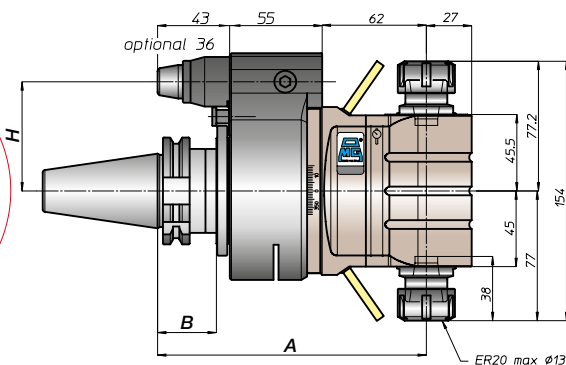
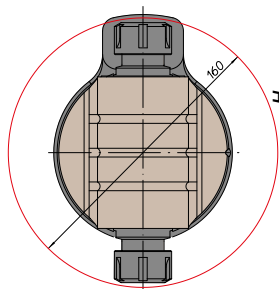
4-51

VH

TSI/TSX

T

MT-TC-TC3



CONO
SHANK



DIN69871



ANSIB5.50



BT



HSK

DIN69893



CAPTO

ISO26623



KM



DIN2080



ANSIB5.18

SIZE

40 45 50

40 50

40 50

63 80 100

C5 C6 C8

63 80 100

40 50

40 50

A

160

160

160 168

169

164

160

130 133

130 133

B

35

35

35 45

44 46

39 41

13 16

13 16

H STANDARD

65 80

65 80

65 80

65 80

65 80

65 80

65 80

65 80

H OPTIONAL

110

110

110

110

110

110

110

110

For DIN69871, ANSIB5.50 and BT, dual contact as option

