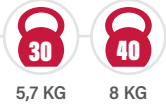
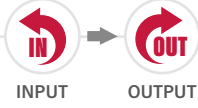


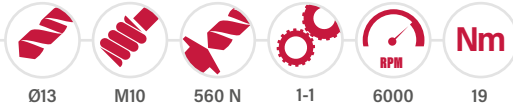
PESO  
WEIGHT



ROTAZIONE  
ROTATION

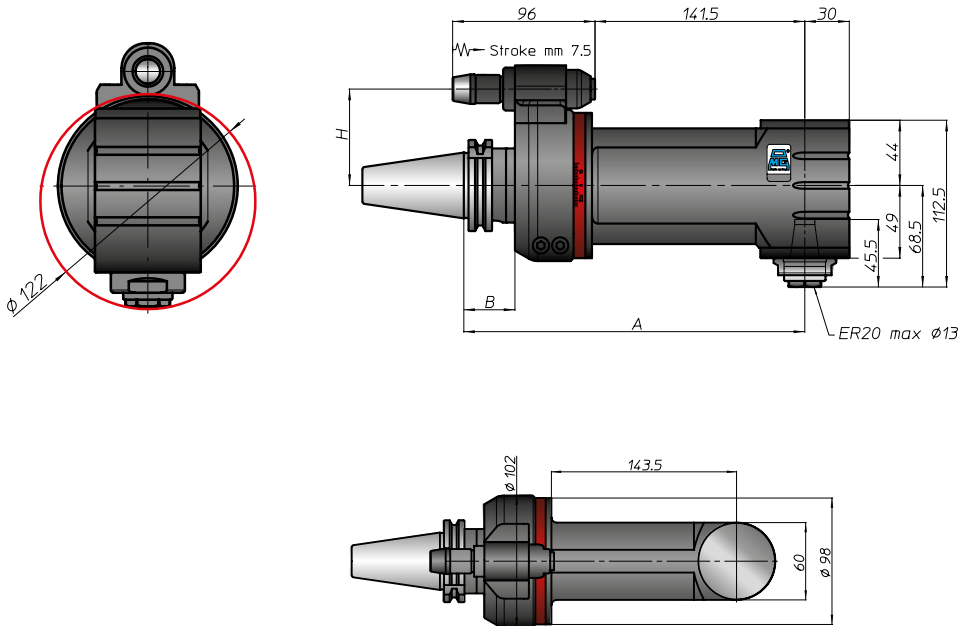


CARATTERISTICHE  
FEATURES



# TA13.CPL

TESTA AD ANGOLO - ANGLE HEAD



CONO  
SHANK

SIZE

A  
B  
H STANDARD  
H OPTIONAL

	DIN69871		CAT ANSIB5.50		BT		HSK DIN69893			CAPTO ISO26623	KM	DIN2080	NMTB ANSIB5.18
SIZE	30	40	45	50	40	50	40	50	63	80	100		
A	230		230		230	238	239						
B	35		35		35	45	44	46					
H STANDARD	65	80	65	80	65	80	65	80					
H OPTIONAL													

FH

BAH

TA.CP

TA

MOX

HT

3-6

VH

TSI/TSX

T

MT-TC-TC3

