

FH

BAH

TA.CP

TA

MOX

HT

4-27

VH

TSI/TSX

T

MT-TC-TC3



# TA13.P

TESTA AD ANGOLO - ANGLE HEAD



6,5 KG



9 KG

PESO  
WEIGHT

INPUT



OUTPUT

ROTAZIONE  
ROTATION

Ø13



M10



810 N



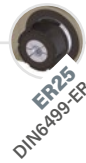
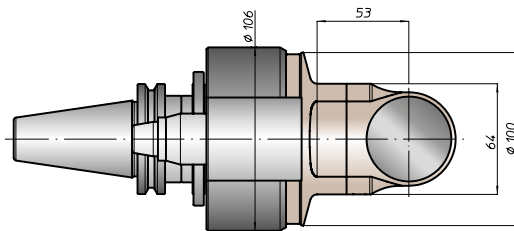
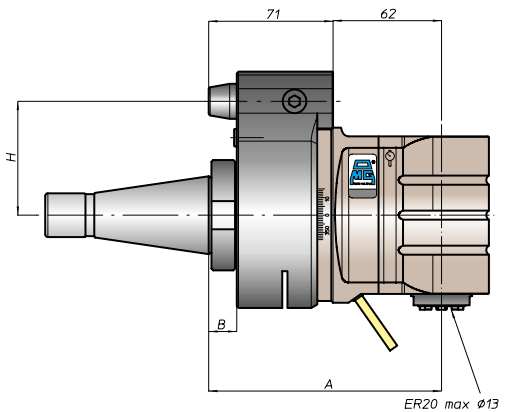
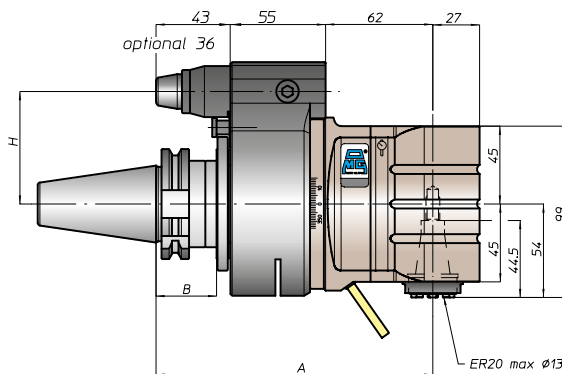
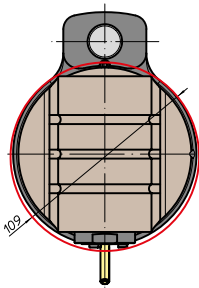
1-1



8000



38

CARATTERISTICHE  
FEATURESER25  
DIN6499-ERØ16-Ø22  
PORTA-FRESE  
FACE MILL ARBORØ16  
WELD ON  
WHISTLE-NOTCHABS25  
LICENZA KOMET®  
KOMET LICENCE®MANDRINI  
DISPONIBILI  
AVAILABLE  
SPINDLESCONO  
SHANK

DIN69871



ANSIB5.50

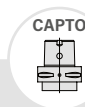


BT



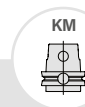
HSK

DIN69893



CAPTO

ISO26623



KM



DIN2080



ANSIB5.18

SIZE

40

45

50

40

50

40

50

63

80

100

C5

C6

C8

63

80

100

40

50

40

50

A

160

160

160

168

169

164

160

130

133

130

133

B

35

35

35

45

44

46

39

41

13

16

13

16

H STANDARD

65

80

65

80

65

80

65

80

65

80

65

80

65

80

65

80

H OPTIONAL

110

110

110

110

110

110

110

110

For DIN69871, ANSIB5.50 and BT, dual contact as option

