

FH

BAH

TA.CP

TA

MOX

HT

4-59

VH

TSI/TSX

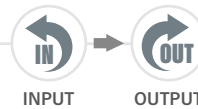
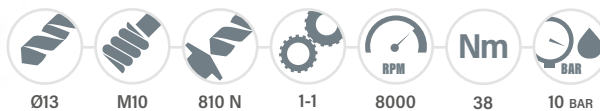
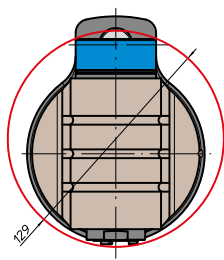
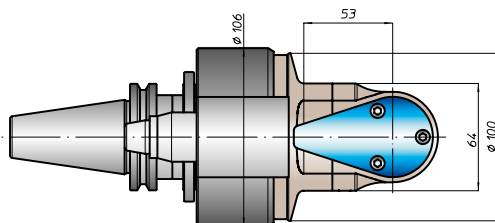
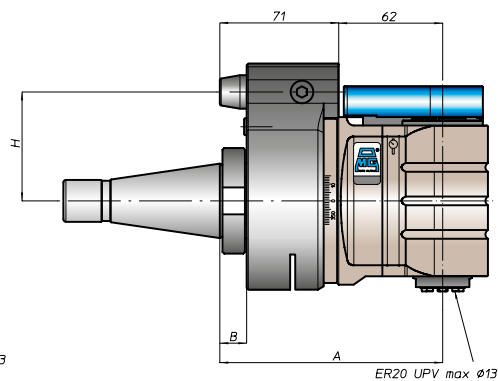
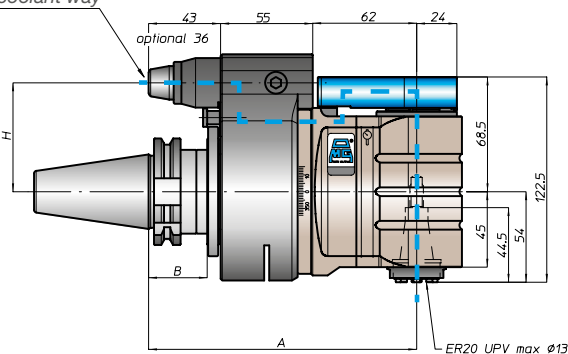
T

MT-TC-TC3



TA13.PD

TESTA AD ANGOLO - ANGLE HEAD

PESO
WEIGHTROTAZIONE
ROTATIONCARATTERISTICHE
FEATURESrefrigerante
coolant wayCONO
SHANK

DIN69871



ANSIB5.50



BT



DIN69893



ISO26623



KM



DIN2080



ANSIB5.18

SIZE

40

45

50

40

50

40

50

63

80

100

C5

C6

C8

63

80

100

40

50

40

50

A

160

160

160

168

169

164

160

130

133

130

133

B

35

35

35

45

44

46

39

41

13

16

13

16

H STANDARD

65

80

65

80

65

80

65

80

65

80

65

80

65

80

65

80

65

80

65

80

65

80

H OPTIONAL

110

110

110

110

110

110

110

110

110

110

110

110

110

110

110

110

110

110

110

110

110

110

110

For DIN69871, ANSIB5.50 and BT, dual contact as option

