

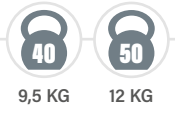


TA13.PL

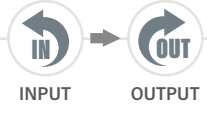
TESTA AD ANGOLO - ANGLE HEAD



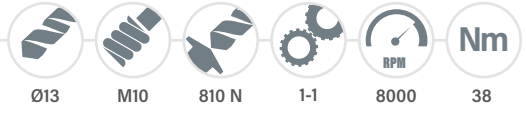
PESO WEIGHT



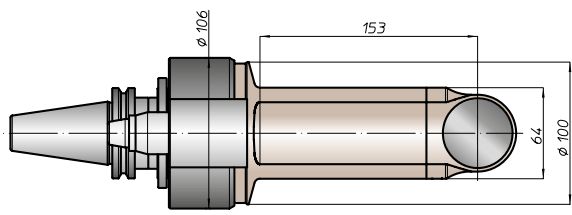
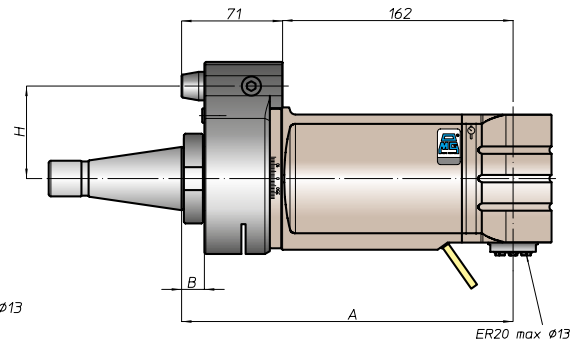
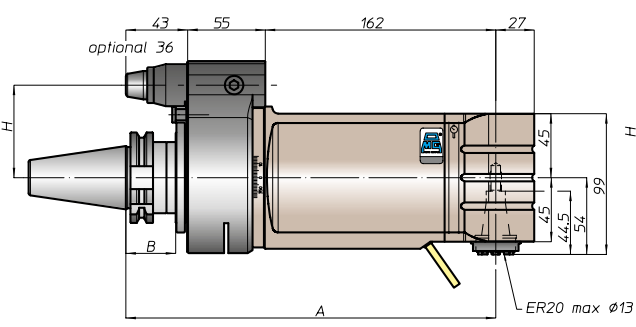
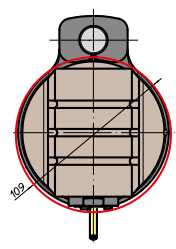
ROTAZIONE ROTATION



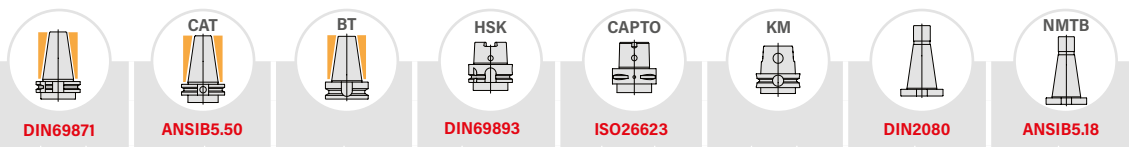
CARATTERISTICHE FEATURES



MANDRINI DISPONIBILI AVAILABLE SPINDLES



CONO SHANK



SIZE	DIN69871			ANSIB5.50		BT		DIN69893			ISO26623			KM		DIN2080		ANSIB5.18		
	40	45	50	40	50	40	50	63	80	100	C5	C6	C8	63	80	100	40	50	40	50
A	260			260		260	268	269			264			260			230	233	230	233
B	35			35		35	45	44	46		39	41					13	16	13	16
H STANDARD	65	80		65	80	65	80	65	80		65	80	65	80	65	80	65	80	65	80
H OPTIONAL	110			110		110		110			110			110		110		110		

For DIN69871, ANSIB5.50 and BT, dual contact as option