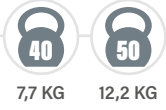
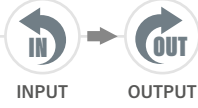


PESO  
WEIGHT



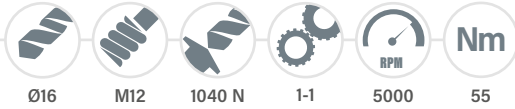
7,7 KG 12,2 KG

ROTAZIONE  
ROTATION



INPUT OUTPUT

CARATTERISTICHE  
FEATURES



Ø16 M12 1040 N 1-1 5000 55

MANDRINI  
DISPONIBILI  
AVAILABLE  
SPINDLES



ER32  
DIN6499-ER



# TA16.2P

TESTA AD ANGOLO - ANGLE HEAD

FH

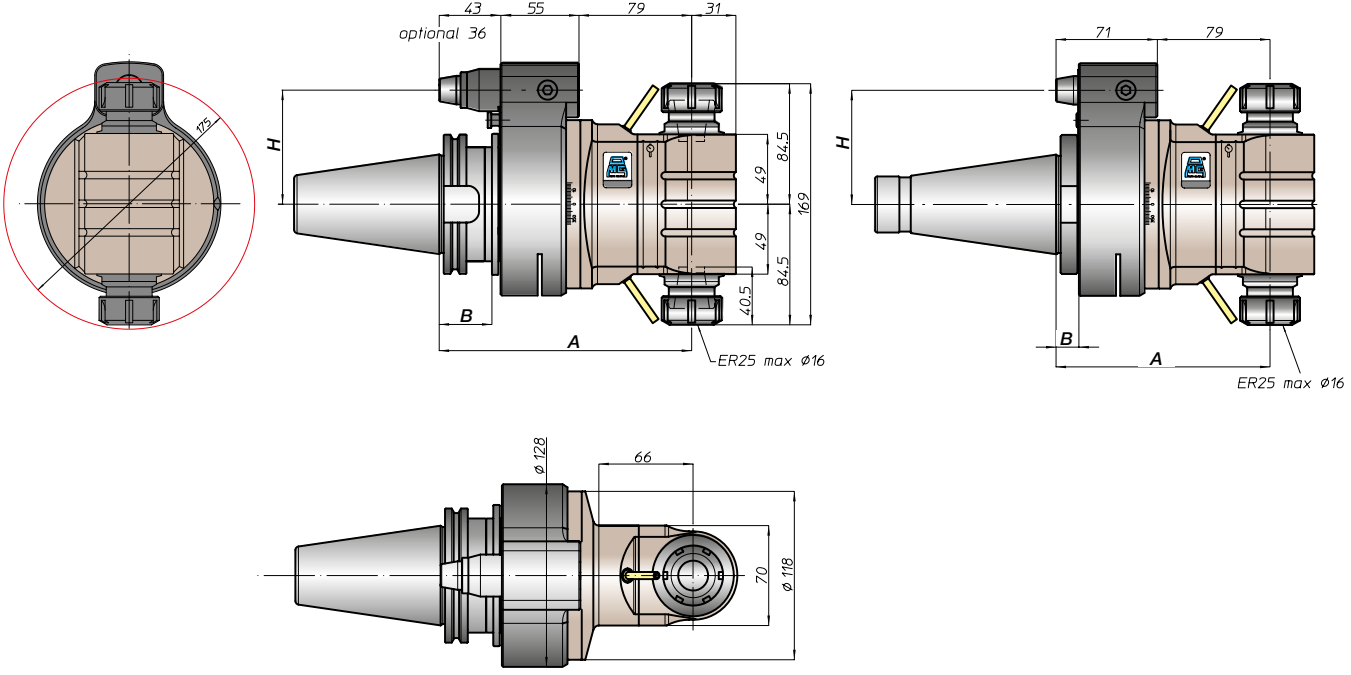
BAH

TA.CP

TA

MOX

HT



4-52

VH

TSI/TSX

T

MT-TC-TC3

CONO  
SHANK



ANSIB5.50

DIN69893

ISO26623

DIN2080

ANSIB5.18

SIZE	40	45	50	40	50	40	50	63	80	100	C5	C6	C8	63	80	100	40	50	40	50
A	172	177	172	177	172	185	181	186	176	181	172	177	147	150	142	150	147	150	142	150
B		35		35	35	45	44	46			39	41		13	16		13	16	13	16
H STANDARD	65	80	65	80	65	80	65	80	65	80	65	80	65	80	65	80	65	80	65	80
H OPTIONAL		110		110		110		110				110		110		110		110		110

For DIN69871, ANSIB5.50 and BT, dual contact as option

