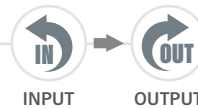
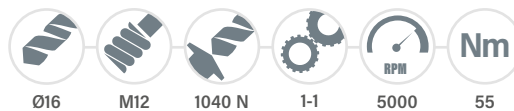
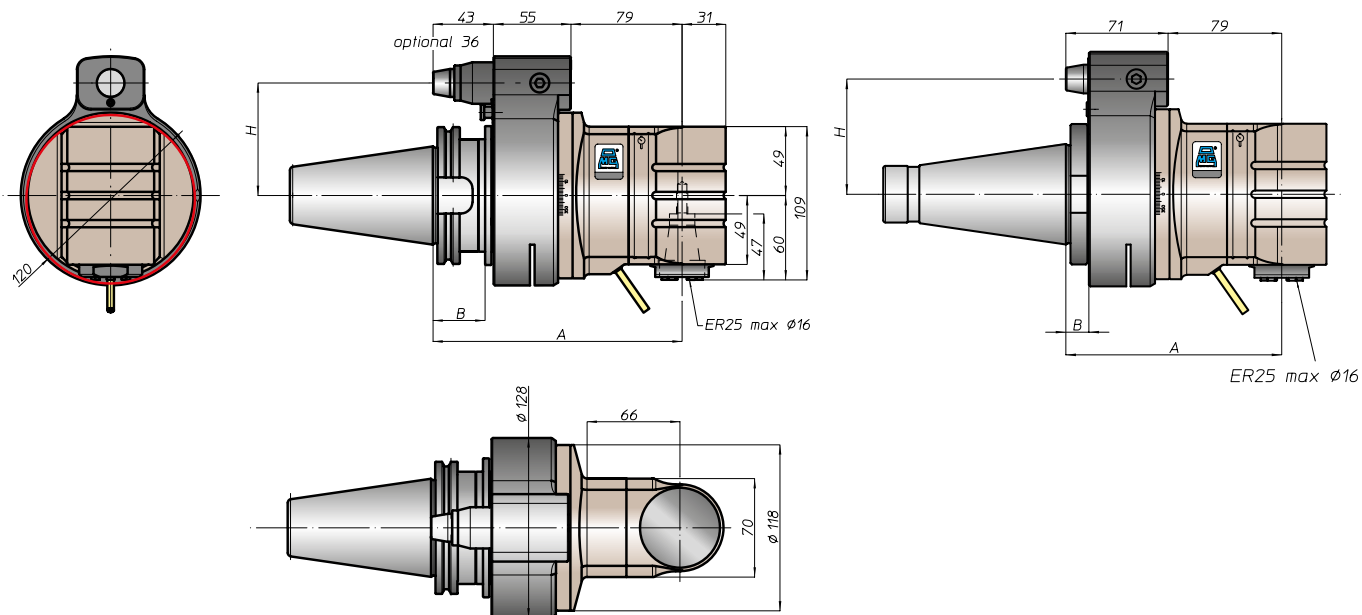


# TA16.P

## TESTA AD ANGOLO - ANGLE HEAD

PESO  
WEIGHTROTAZIONE  
ROTATIONCARATTERISTICHE  
FEATURESMANDRINI  
DISPONIBILI  
AVAILABLE  
SPINDLESCONO  
SHANK

DIN69871



ANSIB5.50



BT



HSK

DIN69893



CAPTO

ISO26623



KM

DIN2080



NMTB

ANSIB5.18

SIZE

40

45

50

40

50

40

50

63

80

100

C5

C6

C8

63

80

100

40

50

40

50

A

172

177

172

177

172

185

181

186

176

181

172

177

147

150

142

150

B

35

37

35

37

35

45

44

46

39

41

35

37

13

16

13

16

H STANDARD

65

80

65

80

65

80

65

80

65

80

65

80

65

80

65

80

H OPTIONAL

110

110

110

110

110

110

110

110

110

110

For DIN69871, ANSIB5.50 and BT, dual contact as option