

PESO  
WEIGHT



14,7 KG

ROTAZIONE  
ROTATION



INPUT



OUTPUT

CARATTERISTICHE  
FEATURES



Ø20



M14



1460 N



1-1



3500



Nm

90



# TA20-30

TESTA AD ANGOLO - ANGLE HEAD

FH

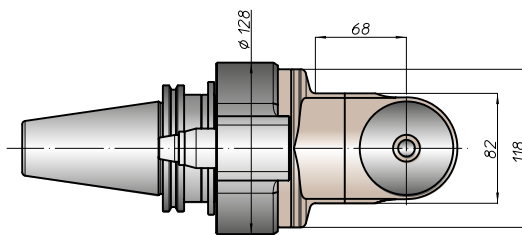
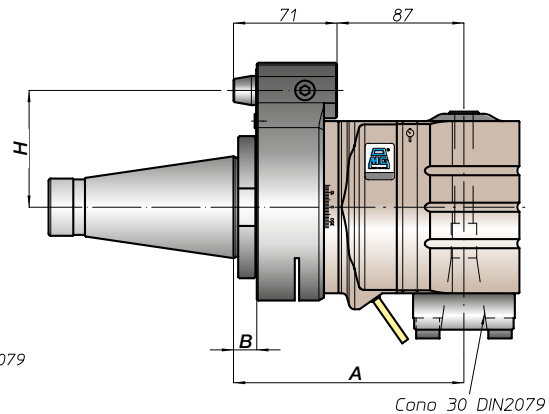
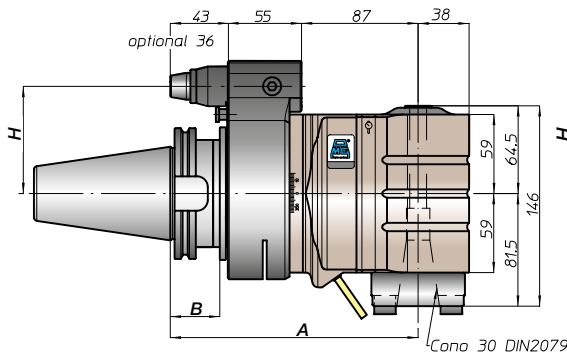
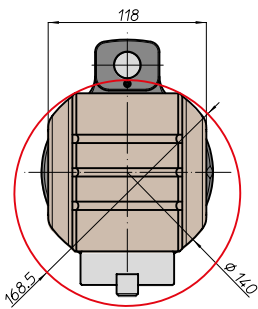
BAH

TA-CP

TA

MOX

HT



### Nota

nel mandrino DIN2079 si possono utilizzare coni DIN2080-30, DIN69871-A30, MAS403-BT30

### Nota

on the spindle DIN2079 you can use shank DIN2080-30, DIN69871-A30, MAS403-BT30

4-34

VH

TSI/TSX

T

MT-TC-TC3

CONO  
SHANK



DIN69871



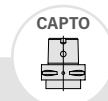
ANSIB5.50



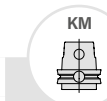
BT



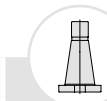
HSK



ISO26623



KM



DIN2080



ANSIB5.18

SIZE

45 | 50 | 50 | 50 | 80 | 100 | C8 | 80 | 100 | 50 | 50

A

185 | 185 | 193 | 194 | 189 | 185 | 158 | 158

B

35 | 35 | 45 | 46 | 41 | 16 | 16

H STANDARD

80 | 80 | 80 | 80 | 80 | 80 | 80 | 80

H OPTIONAL

110 | 110 | 110 | 110 | 110 | 110 | 110 | 110

For DIN69871, ANSIB5.50 and BT, dual contact as option

