

TA20.PD

TESTA AD ANGOLO - ANGLE HEAD



14,5 KG

PESO
WEIGHT

INPUT



OUTPUT

ROTAZIONE
ROTATION

Ø20



M14



1460 N



1-1



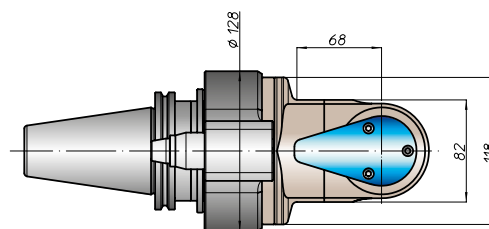
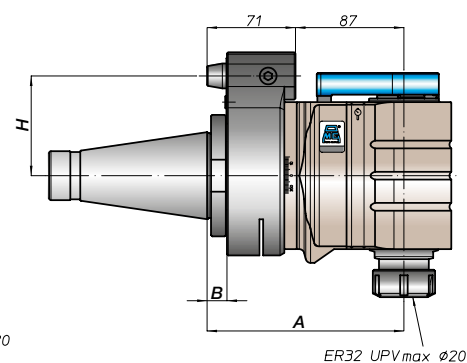
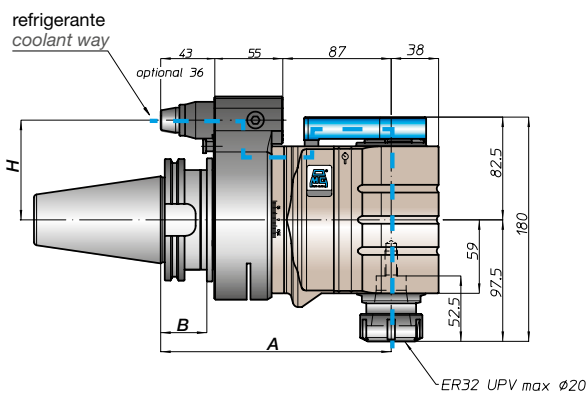
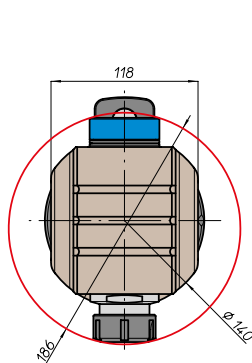
3500



90



10 BAR

CARATTERISTICHE
FEATURESCONO
SHANK

DIN69871



ANSIB5.50

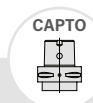


BT



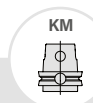
HSK

DIN69893



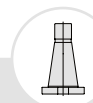
CAPTO

ISO26623



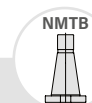
KM

80 | 100



DIN2080

50



NMTB

ANSIB5.18

SIZE

45

50

50

50

80

100

C8

80

100

50

50

A

185

185

193

194

189

185

158

158

B

35

35

45

46

41

80

80

16

16

H STANDARD

80

80

80

80

80

80

80

80

80

H OPTIONAL

110

110

110

110

110

110

110

110

110

For DIN69871, ANSIB5.50 and BT, dual contact as option