

PESO
WEIGHT



22,5 KG

ROTAZIONE
ROTATION



INPUT

OUTPUT

CARATTERISTICHE
FEATURES



Ø26



M20



3020 N



1-1



2500



165

MANDRINI
DISPONIBILI
AVAILABLE
SPINDLES



Ø16-Ø27-Ø32
PORTA-FRESA
FACE-MILL ARBOR



Ø32
WELDON
WHISTLE-NOTCH



ABS50
LICENZA KOMET®
KOMET LICENCES®



TA26.2P

TESTA AD ANGOLO - ANGLE HEAD

FH

BAH

TA-CP

TA

MOX

HT

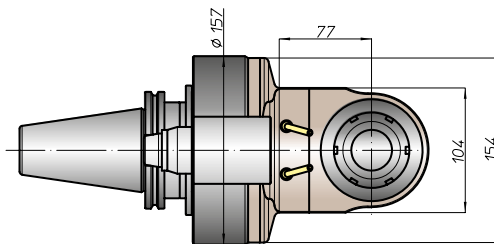
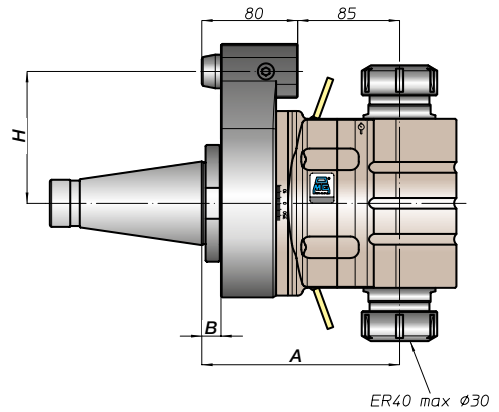
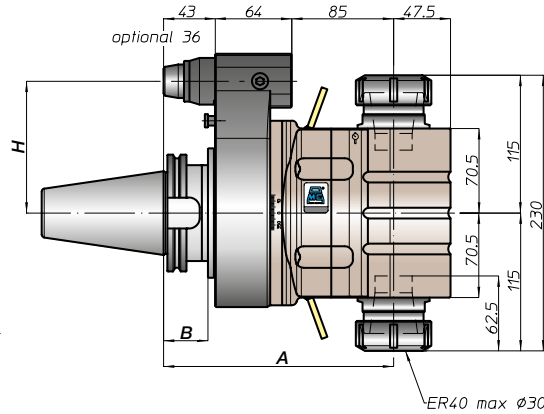
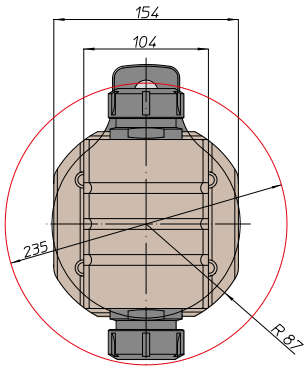
4-54

VH

TSI/TSX

T

MT-TC-TC3



CONO
SHANK



DIN69871



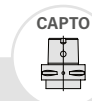
ANSIB5.50



BT

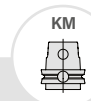


HSK



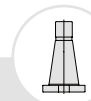
CAPTO

ISO26623

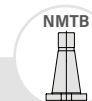


KM

100



DIN2080



NMTB

ANSIB5.18

SIZE

45

50

50

50

80

100

C8

100

50

50

A

192

192

200

201

196

192

165

165

B

37

37

45

46

41

16

16

16

H STANDARD

110

110

110

110

110

110

110

110

H OPTIONAL

For DIN69871, ANSIB5.50 and BT, dual contact as option

