

FH

BAH

TA.CP

TA

MOX

HT

4-35

VH

TSI/TSX

T

MT-TC-TC3



# TA26.P

TESTA AD ANGOLO - ANGLE HEAD



**50**  
22 KG

PESO  
WEIGHT

**IN** → **OUT**  
INPUT OUTPUT

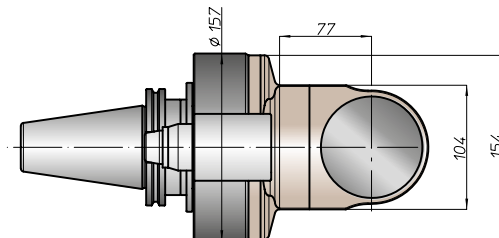
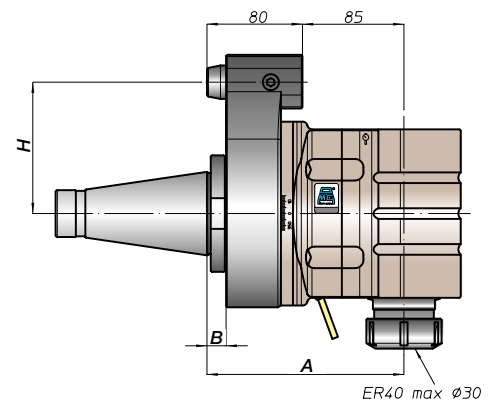
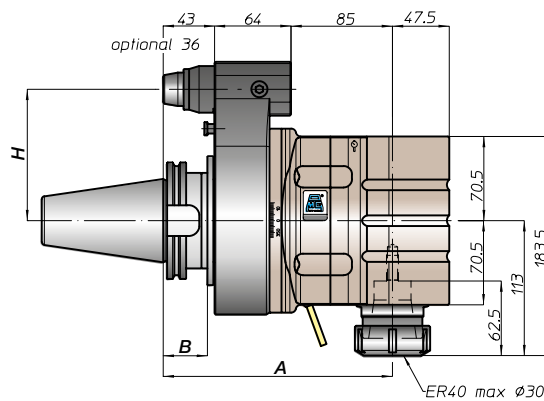
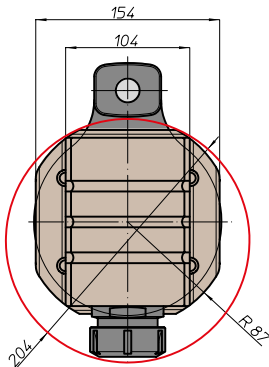
ROTAZIONE  
ROTATION

**Nm**  
165

CARATTERISTICHE  
FEATURES



MANDRINI  
DISPONIBILI  
AVAILABLE  
SPINDLES



CONO  
SHANK



DIN69871



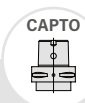
ANSIB5.50



BT

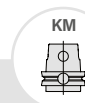


HSK



CAPTO

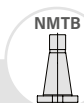
ISO26623



KM



DIN2080



NMTB

ANSIB5.18

SIZE

45

50

50

50

80

100

C8

100

50

50

A

192

192

200

201

196

192

165

165

B

37

37

45

46

41

16

16

H STANDARD

110

110

110

110

110

110

110

110

H OPTIONAL

For DIN69871, ANSIB5.50 and BT, dual contact as option

