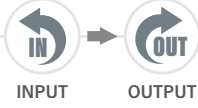


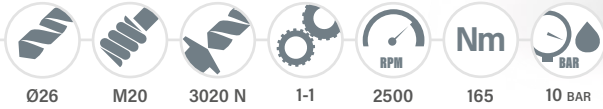
PESO  
WEIGHT



ROTAZIONE  
ROTATION



CARATTERISTICHE  
FEATURES



# TA26.PD

TESTA AD ANGOLO - ANGLE HEAD

FH

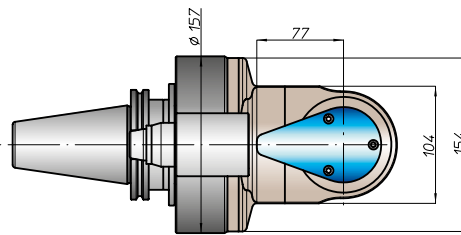
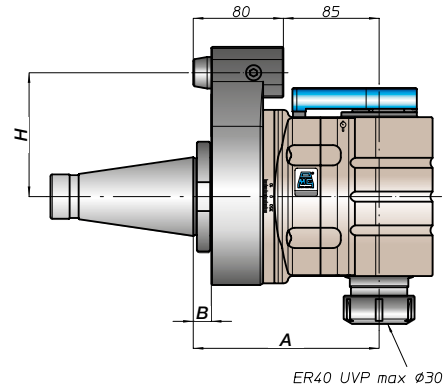
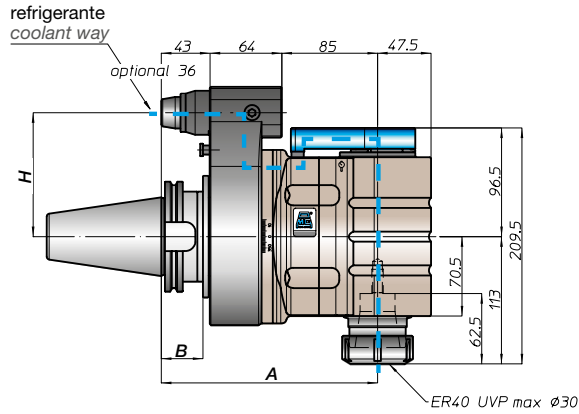
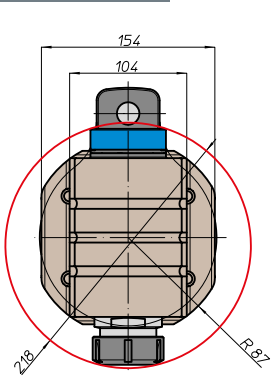
BAH

TA.CP

TA

MOX

HT



4-62

VH

TSI/TSX

T

MT-TC-TC3

CONO  
SHANK



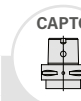
DIN69871



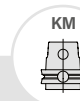
ANSIB5.50



DIN69893



ISO26623



DIN2080



ANSIB5.18

SIZE

45 50 50 50 80 100 C8 100 50 50

A

192 192 200 201 196 192 165 165

B

37 37 45 46 41 16 16

H STANDARD

110 110 110 110 110 110 110 110

H OPTIONAL

For DIN69871, ANSIB5.50 and BT, dual contact as option

