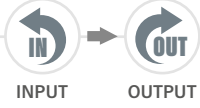


PESO
WEIGHT



24 KG

ROTAZIONE
ROTATION



INPUT

OUTPUT

CARATTERISTICHE
FEATURES



Ø30

M24

3500 N

1-1

2500

Nm

205



TA30.40

TESTA AD ANGOLO - ANGLE HEAD

FH

BAH

TA.CP

TA

MOX

HT

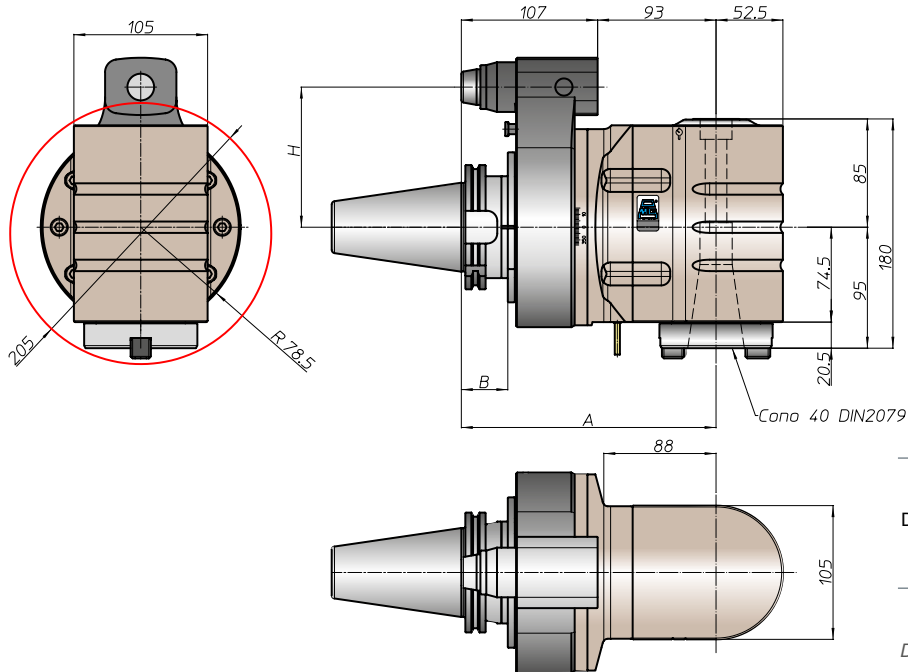
4-38

VH

TSI/TSX

T

MT-TC-TC3



Nota

nel mandrino DIN2079 si possono utilizzare coni DIN2080-40, DIN69871-A40, MAS403-BT40

Note

on the spindle DIN2079 you can use shank DIN2080-40, DIN69871-A40, MAS403-BT40

CONO
SHANK



DIN69871



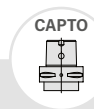
ANSIB5.50



BT



DIN69893



ISO26623



KM



DIN2080



ANSIB5.18

SIZE

45 50 50 50 80 100 C8 100 50 50

A

200 200 208 209 204 200 200 200

B

35 35 45 46 41 16 16

H STANDARD

110 110 110 110 110 110 110

H OPTIONAL

For DIN69871, ANSIB5.50 and BT, dual contact as option

