

FH

BAH

TA.CP

TA

MOX

HT

4-99

VH

TSI/TSX

T

MT-TC-TC3



TAF20.P

TESTA AD ANGOLO - ANGLE HEAD



50

13,5 KG

PESO
WEIGHT

INPUT



OUTPUT

ROTAZIONE
ROTATION

Ø20



M26



1610 N



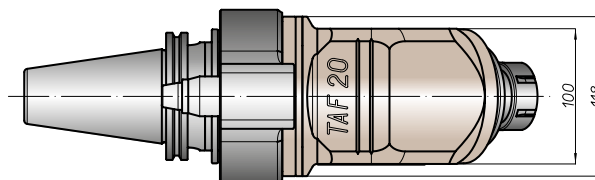
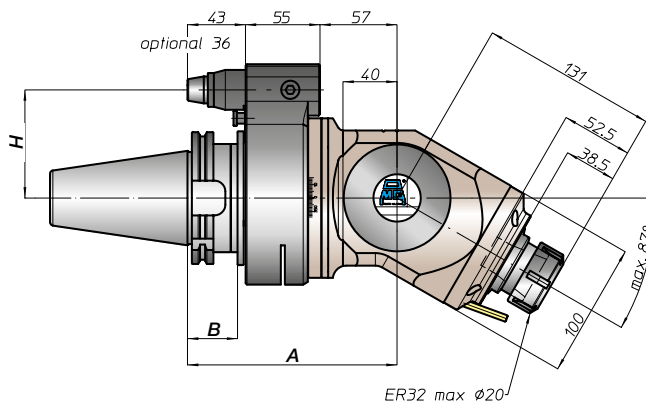
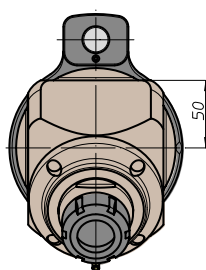
1-1



3000



79

CARATTERISTICHE
FEATURESER40
DIN6499-ERØ32
PORTAFRESSE
FACE MILL ARBORØ20
WELDON
WHISTLE-NOTCHHSK50
DIN69893-HSKABS50
LICENZA KOMET®
KOMET LICENCE®MANDRINI
DISPONIBILI
AVAILABLE
SPINDLESCONO
SHANK

DIN69871



ANSIB5.50



BT



DIN69893



ISO26623



80 | 100



DIN2080



ANSIB5.18

SIZE

45

50

50

50

80

100

C6

C8

80

100

A

155

155

163

164

159

155

B

35

35

45

46

41

H STANDARD

80

80

80

80

80

80

H OPTIONAL

110

110

110

110

110

110

