

PESO
WEIGHT



13,5 KG

ROTAZIONE
ROTATION



INPUT

OUTPUT

CARATTERISTICHE
FEATURES



Ø20



M16



1610 N



1-1



3000



79



70 BAR

MANDRINI
DISPONIBILI
AVAILABLE
SPINDLES



ER40
DIN6499-ER



Ø20
WELDON
WHISTLE-NOTCH



HSK50
DIN69893-HSK

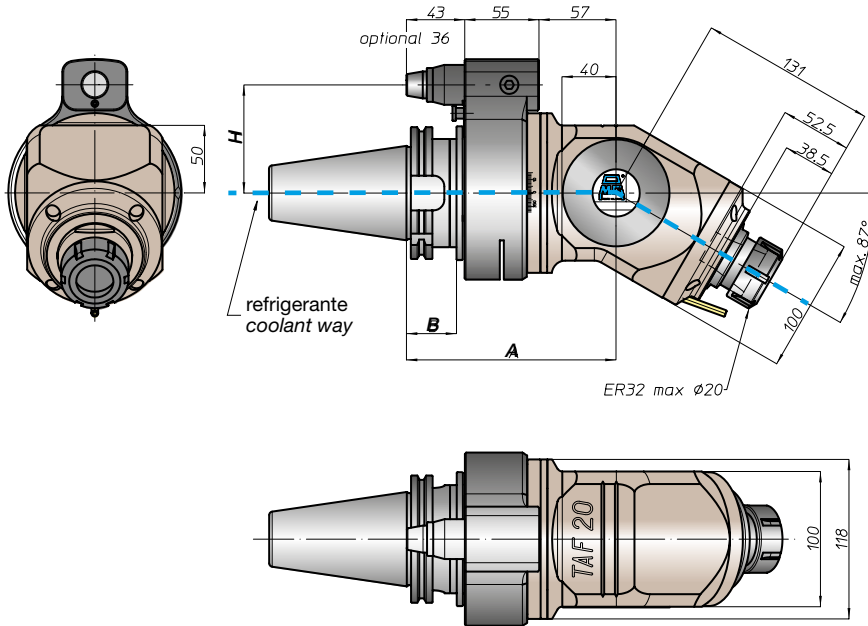


ABS50
LICENZA KOMET®
KOMET LICENCES®



TAF20.PD

TESTA AD ANGOLO - ANGLE HEAD



CONO
SHANK



DIN69871



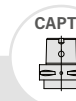
ANSIB5.50



BT



DIN69893



ISO26623



DIN2080



ANSIB5.18

SIZE

45

50

50

50

80

100

C6

C8

80

100

A

155

155

163

164

159

155

B

35

35

45

46

41

H STANDARD

80

80

80

80

80

80

H OPTIONAL

110

110

110

110

110

110

4-100

VH

TSI/TSX

T

MT-TC-TC3



FH

BAH

TA.CP

TA

MOX

HT