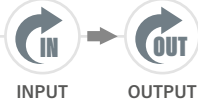


PESO
WEIGHT



14 KG

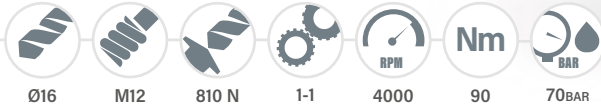
ROTAZIONE
ROTATION



INPUT

OUTPUT

CARATTERISTICHE
FEATURES



Ø16

M12

810 N

1-1

4000

Nm

90

BAR

70

MANDRINI
DISPONIBILI
AVAILABLE
SPINDLES



Ø16-Ø22-Ø27
PORTAFRESE
FACE-MILL ARBOR

Ø16
WELDON
WHISTLE-NOTCH

HSK40
DIN69893-HSK



TA016.PD

TESTA AD ANGOLO - ANGLE HEAD

FH

BAH

TA.CP

TA

MOX

HT

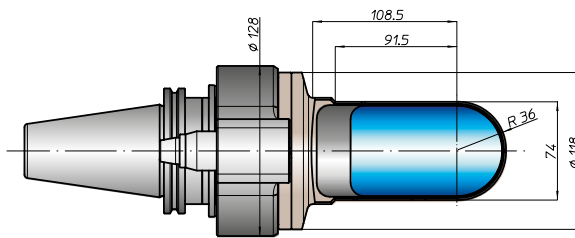
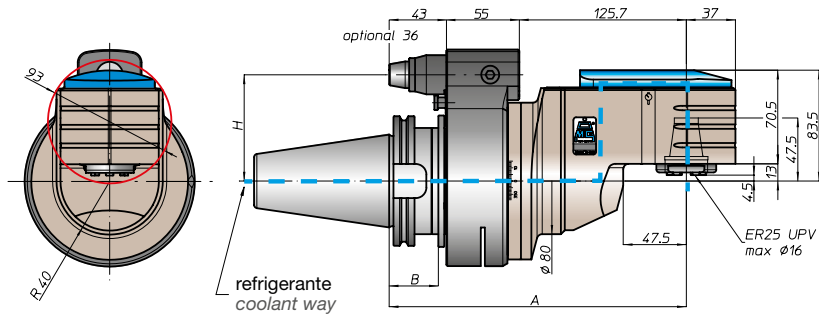
4-70

VH

TSI/TSX

T

MT-TC-TC3



CONO
SHANK



DIN69871



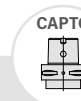
ANSIB5.50



BT

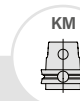


HSK



CAPTO

ISO26623



KM

DIN69893



DIN2080

DIN2080



NMTB

ANSIB5.18

SIZE

45

50

50

50

80

100

C8

80

100

A

223,5

223,5

231,5

232,5

227,5

223,5

B

35

35

45

46

41

H STANDARD

80

80

80

80

80

80

H OPTIONAL

110

110

110

110

110

110

For DIN69871, ANSIB5.50 and BT, dual contact as option

