

FH

BAH

TA.CP

TA

MOX

HT

4-71

VH

TSI/TSX

T

MT-TC-TC3



# TAO20.P

## TESTA AD ANGOLO - ANGLE HEAD



15 KG

PESO  
WEIGHT

INPUT



OUTPUT

ROTAZIONE  
ROTATION

Ø20



M14



1150 N



1-1



3500



95

CARATTERISTICHE  
FEATURES

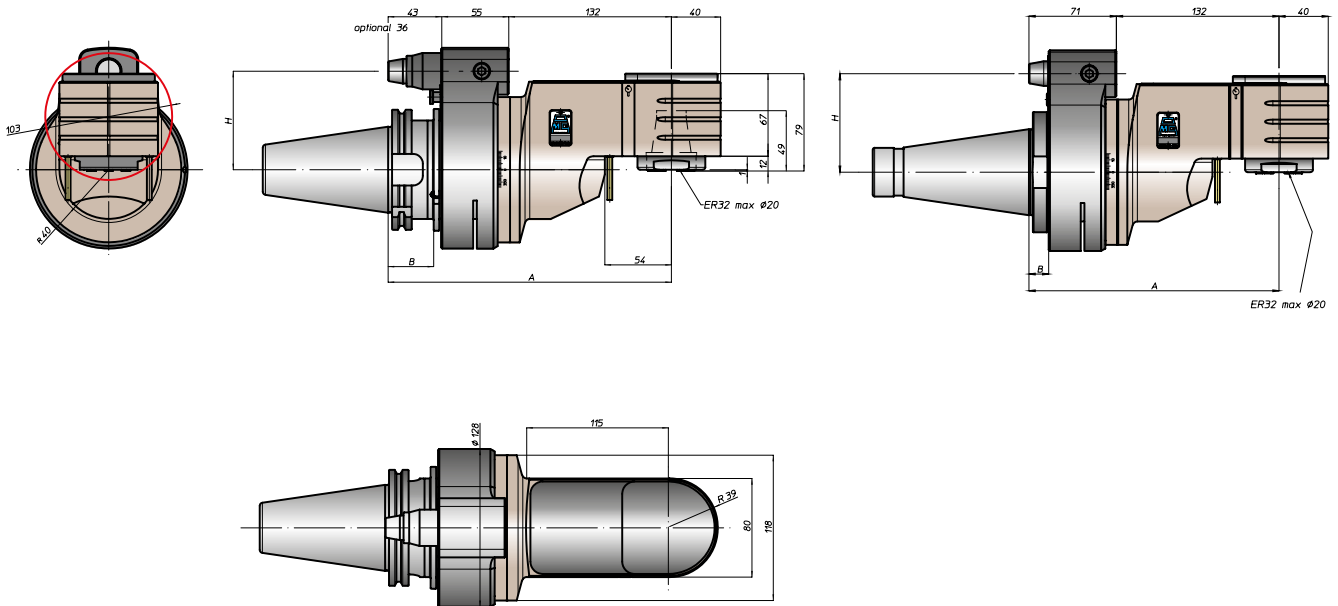
Ø22-Ø27-Ø32  
PORTAFRESE  
FACE MILL ARBOR



Ø16-Ø20  
WELD ON  
WHISTLE-NOTCH



HSK50  
DIN69893-HSK

MANDRINI  
DISPONIBILI  
AVAILABLE  
SPINDLESCONO  
SHANK

DIN69871



ANSIB5.50

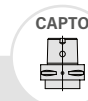


BT



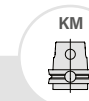
HSK

DIN69893



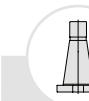
CAPTO

ISO26623



KM

DIN2080



NMTB

ANSIB5.18

SIZE

45

50

50

50

80

100

C8

80

100

50

50

A

230

230

238

239

234

230

203

203

B

35

35

45

46

41

16

16

H STANDARD

80

80

80

80

80

80

80

80

H OPTIONAL

110

110

110

110

110

110

110

110

For DIN69871, ANSIB5.50 and BT, dual contact as option

