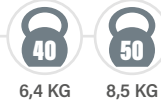
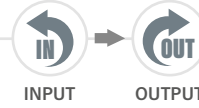


# TAV10.P

TESTA AD ANGOLO - ANGLE HEAD



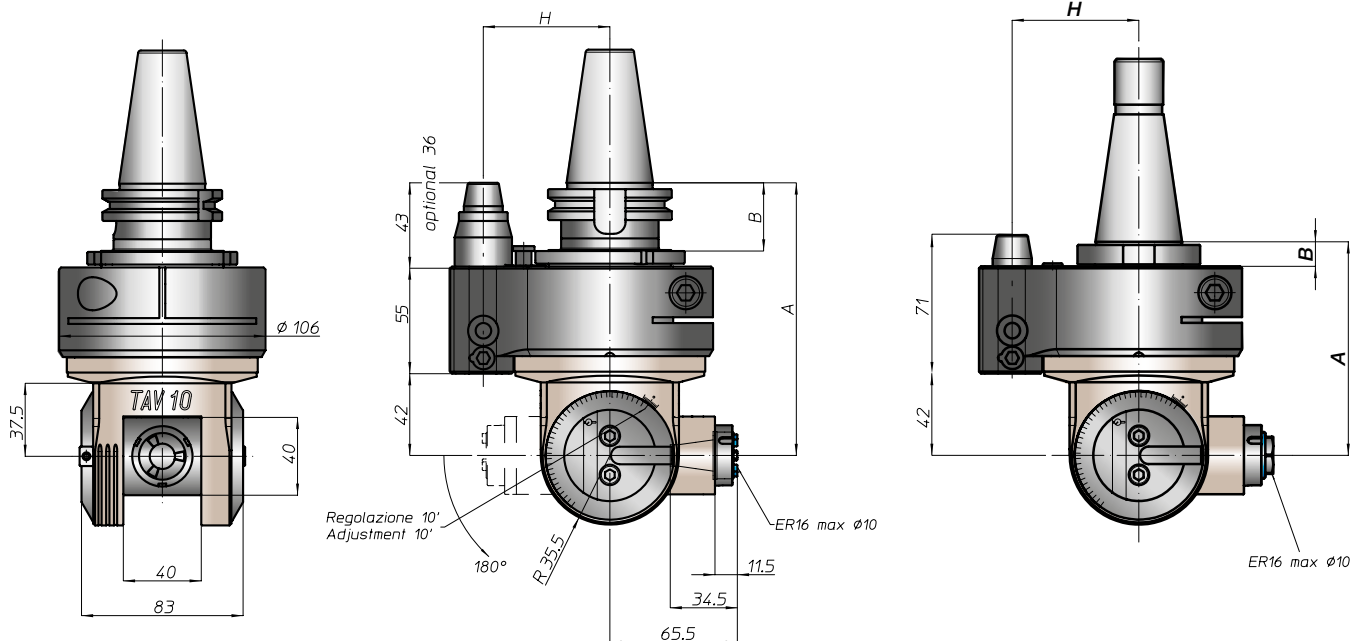
PESO  
WEIGHT



ROTAZIONE  
ROTATION



CARATTERISTICHE  
FEATURES



CONO  
SHANK



DIN69871



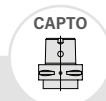
ANSIB5.50



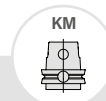
BT



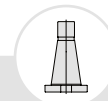
DIN69893



ISO26623



KM



DIN2080



ANSIB5.18

SIZE

40

45

50

40

50

40

50

63

80

100

C5

C6

C8

63

80

100

40

50

40

50

A

140

140

140

148

149

144

140

113

116

113

116

B

35

35

35

45

44

46

39

41

13

16

13

16

H STANDARD

65

80

65

80

65

80

65

80

65

80

65

80

65

80

65

80

65

80

65

80

H OPTIONAL

110

110

110

110

110

110

110

110

110

110

110

110

110

110

110

110

110

110

For DIN69871, ANSIB5.50 and BT, dual contact as option