

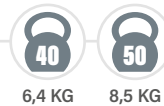


TAV10.P

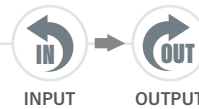
TESTA AD ANGOLO - ANGLE HEAD



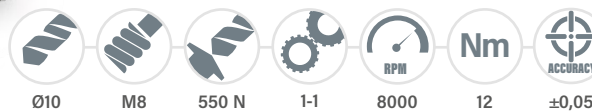
TAV
DIGITAL



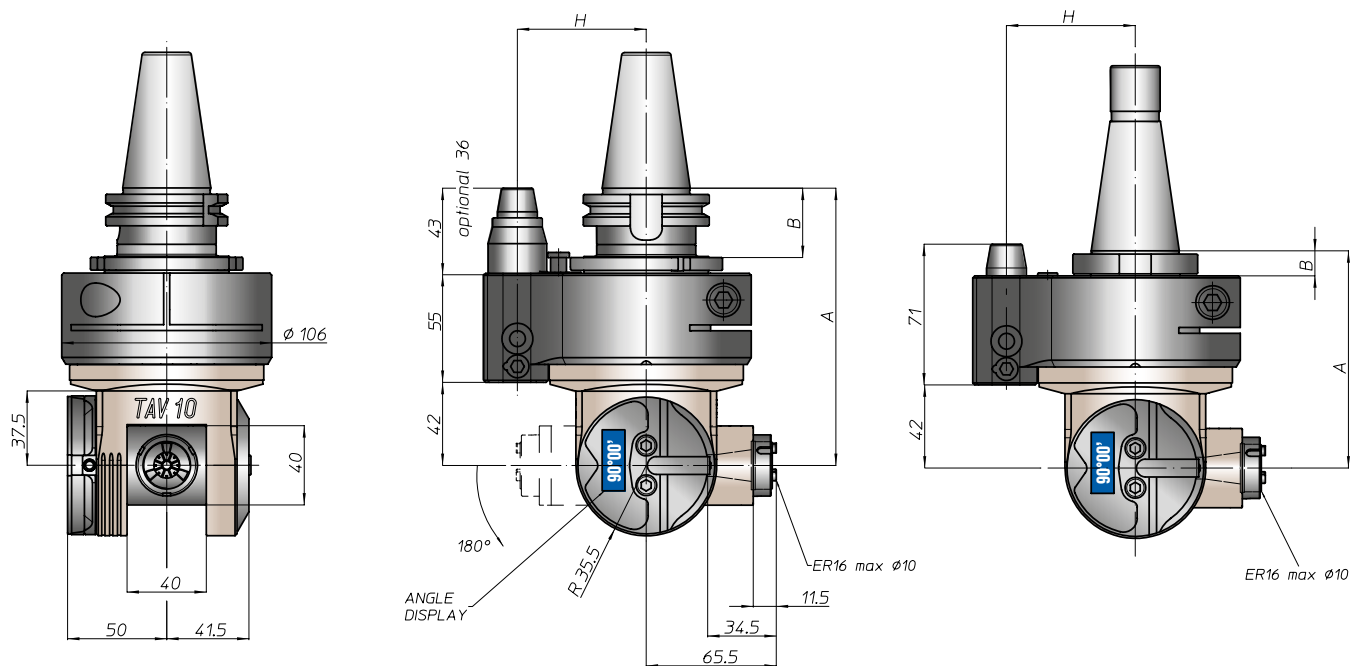
PESO
WEIGHT



ROTAZIONE
ROTATION



CARATTERISTICHE
FEATURES



CONO
SHANK



DIN69871



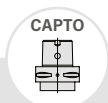
ANSIB5.50



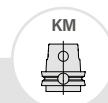
BT



DIN69893



ISO26623



KM



DIN2080



ANSIB5.18

SIZE

40 45 50

40 50

40 50

63 80 100

C5 C6 C8

63 80 100

40 50

40 50

A

140

140

140 148

149

144

140

113 116

113 116

B

35

35

35 45

44 46

39 41

13 16

13 16

13 16

H STANDARD

65 80

65 80

65 80

65 80

65 80

65 80

65 80

65 80

H OPTIONAL

110

110

110

110

110

110

110

110

For DIN69871, ANSIB5.50 and BT, dual contact as option