

FH

BAH

TA.CP

TA

MOX

HT

4-87

VH

TSI/TSX

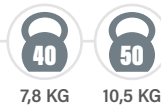
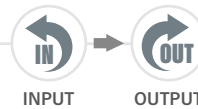
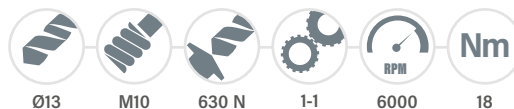
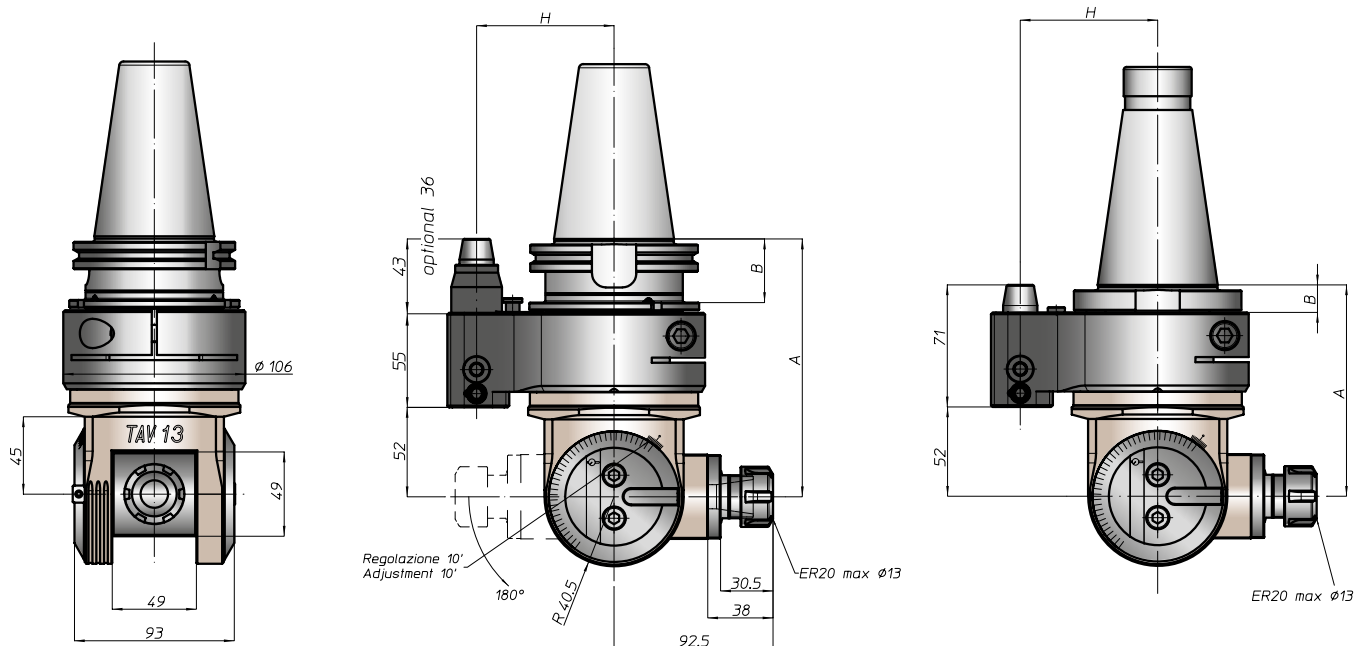
T

MT-TC-TC3



TAV13.P

TESTA AD ANGOLO - ANGLE HEAD

PESO
WEIGHTROTAZIONE
ROTATIONCARATTERISTICHE
FEATURESMANDRINI
DISPONIBILI
AVAILABLE
SPINDLESCONO
SHANK

DIN69871



ANSIB5.50

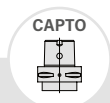


BT



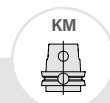
HSK

DIN69893



CAPTO

ISO26623



KM



NMTB

DIN2080



ANSIB5.18

SIZE

40

45

50

40

50

40

50

63

80

100

C5

C6

C8

63

80

100

40

50

40

50

A

150

150

150

158

159

154

150

120

123

120

123

B

35

35

35

45

44

46

39

41

13

16

13

16

H STANDARD

65

80

65

80

65

80

65

80

65

80

65

80

65

80

65

80

65

80

H OPTIONAL

110

110

110

110

110

110

110

110

For DIN69871, ANSIB5.50 and BT, dual contact as option