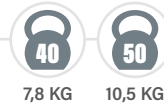


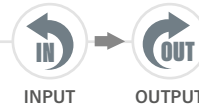


# TAV13.P

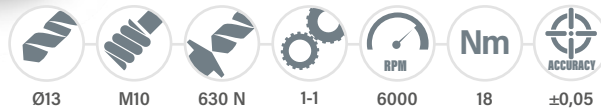
TESTA AD ANGOLO - ANGLE HEAD



PESO  
WEIGHT



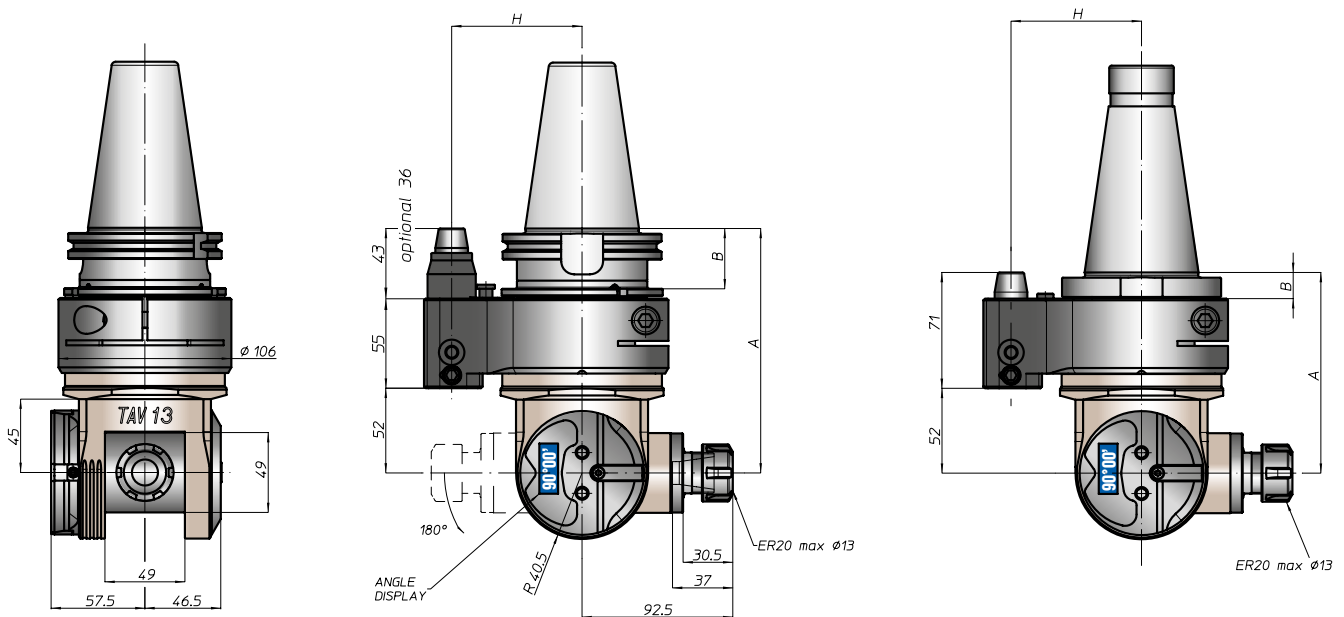
ROTAZIONE  
ROTATION



CARATTERISTICHE  
FEATURES



MANDRINI  
DISPONIBILI  
AVAILABLE  
SPINDLES



CONO  
SHANK



DIN69871



ANSIB5.50

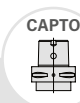


BT



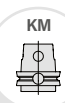
HSK

DIN69893



CAPTO

ISO26623



KM

63 80 100



DIN2080

40 50



ANSIB5.18

40 50

SIZE

40 45 50 40 50 40 50

63 80 100

C5 C6 C8

63 80 100

40 50

40 50

A

150

150

150 158

159

154

150

120 123

120 123

120 123

120 123

B

35

35

35 45

44 46

39 41

13 16

13 16

13 16

13 16

13 16

H STANDARD

65 80

65 80

65 80

65 80

65 80

65 80

65 80

65 80

65 80

65 80

H OPTIONAL

110

110

110

110

110

110

110

110

110

110

For DIN69871, ANSIB5.50 and BT, dual contact as option