



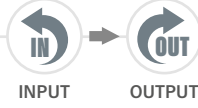
TAV13.PD

TESTA AD ANGOLO - ANGLE HEAD

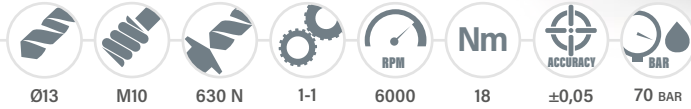
PESO
WEIGHT



ROTAZIONE
ROTATION



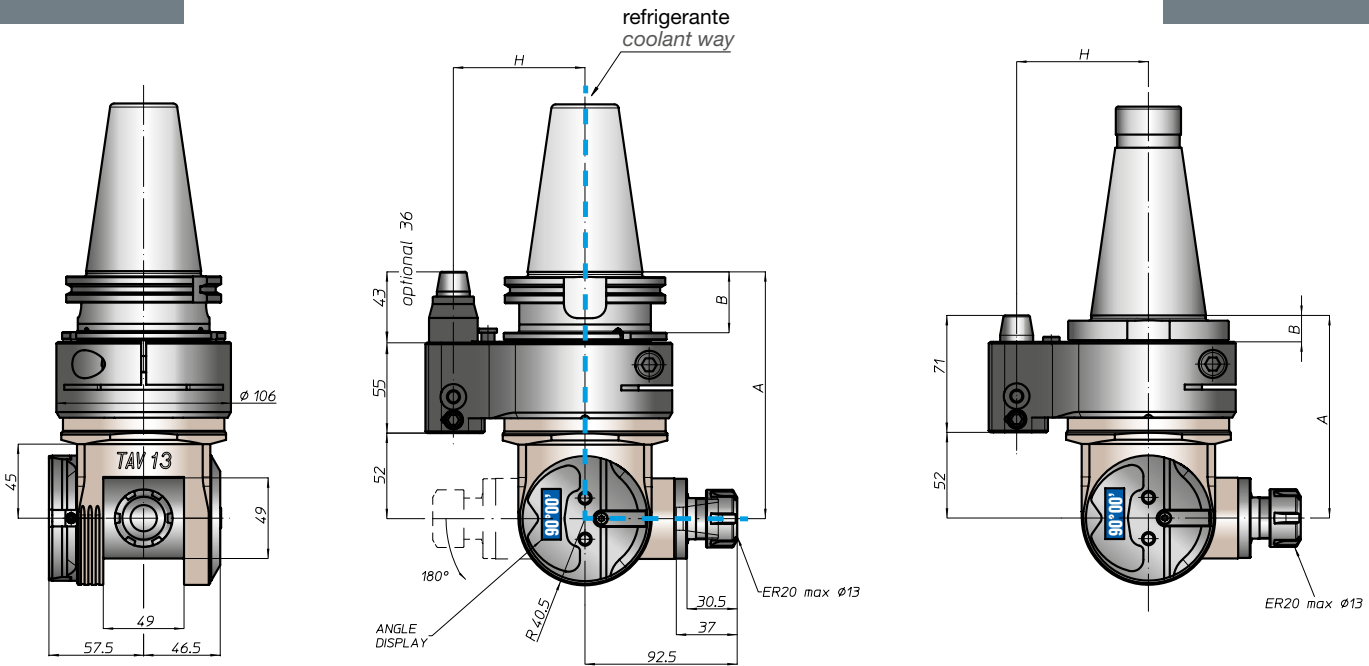
CARATTERISTICHE
FEATURES



MANDRINI
DISPONIBILI
AVAILABLE
SPINDLES



FH
BAH
TA.CP
TA
MOX
HT



4-80

VH
TSI/TSX
T

CONO
SHANK

| | DIN69871 | | | ANSIB5.50 | | BT | | DIN69893 | | | CAPTO | | | KM | | | DIN2080 | | ANSIB5.18 | |
|------------|----------|----|----|-----------|----|-----|-----|----------|----|-----|-------|----|----|-----|----|-----|---------|-----|-----------|-----|
| SIZE | 40 | 45 | 50 | 40 | 50 | 40 | 50 | 63 | 80 | 100 | C5 | C6 | C8 | 63 | 80 | 100 | 40 | 50 | 40 | 50 |
| A | 150 | | | 150 | | 150 | 158 | 159 | | | 154 | | | 150 | | | 120 | 123 | 120 | 123 |
| B | 35 | | | 35 | | 35 | 45 | 44 | 46 | | 39 | 41 | | | | | 13 | 16 | 13 | 16 |
| H STANDARD | 65 | 80 | | 65 | 80 | 65 | 80 | 65 | 80 | | 65 | 80 | | 65 | 80 | | 65 | 80 | 65 | 80 |
| H OPTIONAL | 110 | | | 110 | | 110 | | 110 | | | 110 | | | 110 | | | 110 | | 110 | |

For DIN69871, ANSIB5.50 and BT, dual contact as option

MT-TC-TC3

