

TAV20.P

TESTA AD ANGOLO - ANGLE HEAD



50
22 KG

PESO
WEIGHT

IN → **OUT**
INPUT OUTPUT

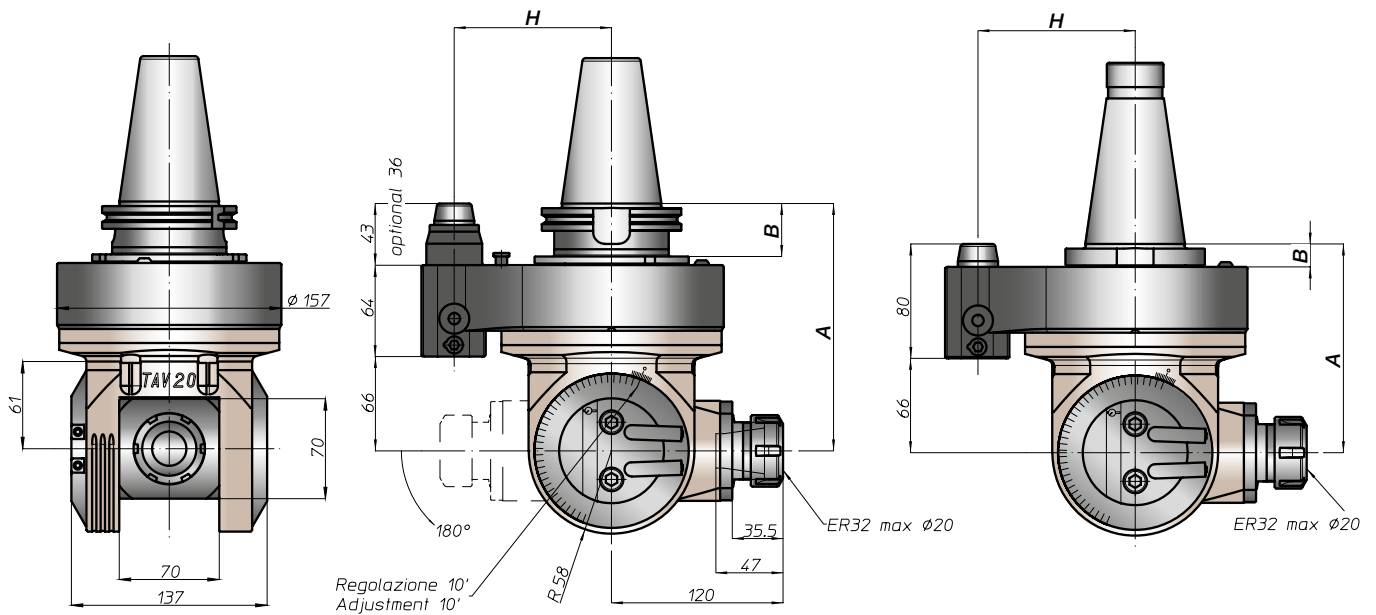
ROTAZIONE
ROTATION

Ø20 **M16** **1740 N** **1-1** **4000** **60**
RPM Nm

CARATTERISTICHE
FEATURES

ER40 DIN6499-ER
Ø32 PORTAFRESE
FACE MILL ARBOR
Ø20-Ø25 WELD ON
WHISTLE-NOTCH
HSK50 DIN69893-HSK
ABS50 LICENZA KOMET®
KOMET LICENCE®

MANDRINI
DISPONIBILI
AVAILABLE
SPINDLES



CONO
SHANK



DIN69871



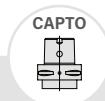
ANSIB5.50



BT

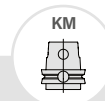


HSK



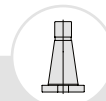
CAPTO

ISO26623



KM

100



DIN2080

50



ANSIB5.18

50

SIZE

50

50

50

80

100

C8

100

50

50

A

173

173

181

182

177

173

149

149

B

35

35

45

46

41

16

16

16

H STANDARD

110

110

110

110

110

110

110

110

H OPTIONAL

For DIN69871, ANSIB5.50 and BT, dual contact as option

