

FH

BAH

TA.CP

TA

MOX

HT

4-81

VH

TSI/TSX

T

MT-TC-TC3



# TAV20.P

TESTA AD ANGOLO - ANGLE HEAD



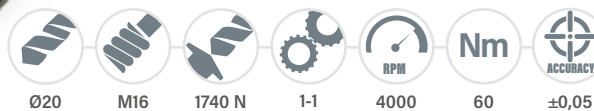
**TAV**  
DIGITAL

**50**  
22 KG

PESO  
WEIGHT

**IN** → **OUT**  
INPUT OUTPUT

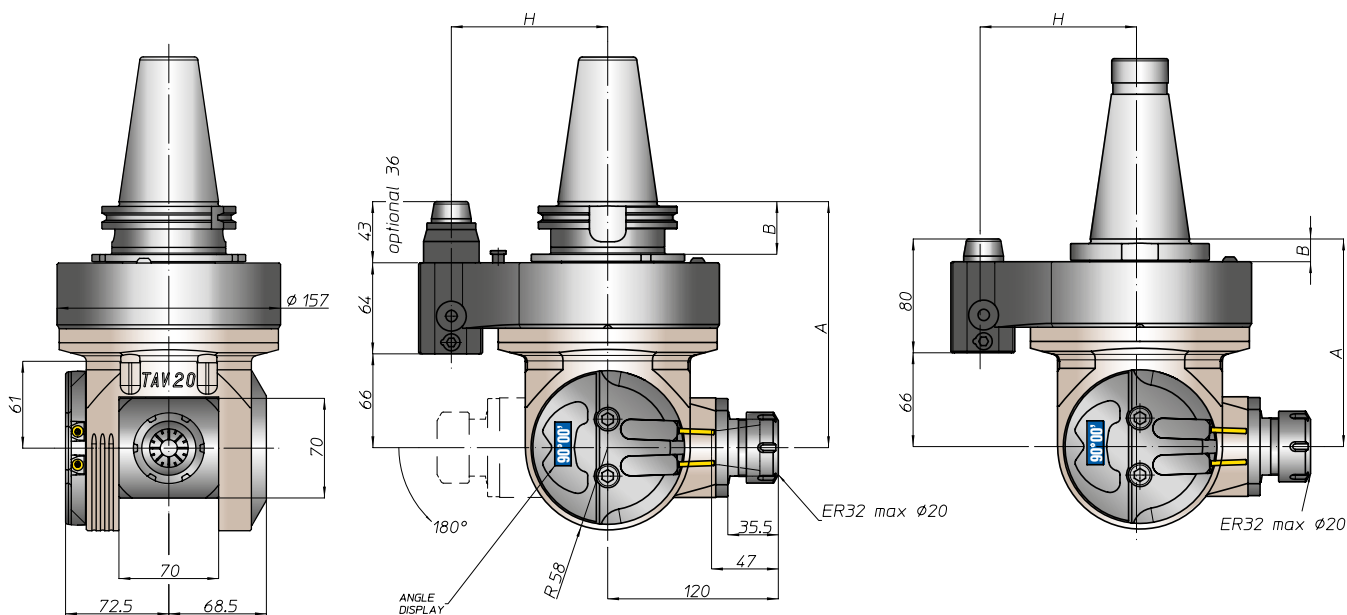
ROTAZIONE  
ROTATION



CARATTERISTICHE  
FEATURES



MANDRINI  
DISPONIBILI  
AVAILABLE  
SPINDLES



CONO  
SHANK



DIN69871



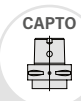
ANSIB5.50



BT



HSK



ISO26623



KM



DIN2080



ANSIB5.18

SIZE

50

50

50

80

100

C8

100

50

50

A

173

173

181

182

177

173

149

149

B

35

35

45

46

41

16

16

16

H STANDARD

110

110

110

110

110

110

110

110

H OPTIONAL

For DIN69871, ANSIB5.50 and BT, dual contact as option

