



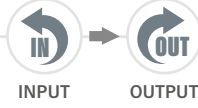
TAV20.PD

TESTA AD ANGOLO - ANGLE HEAD

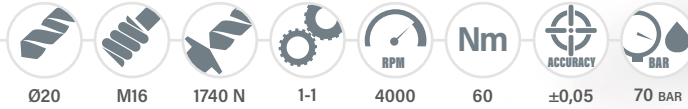
PESO
WEIGHT



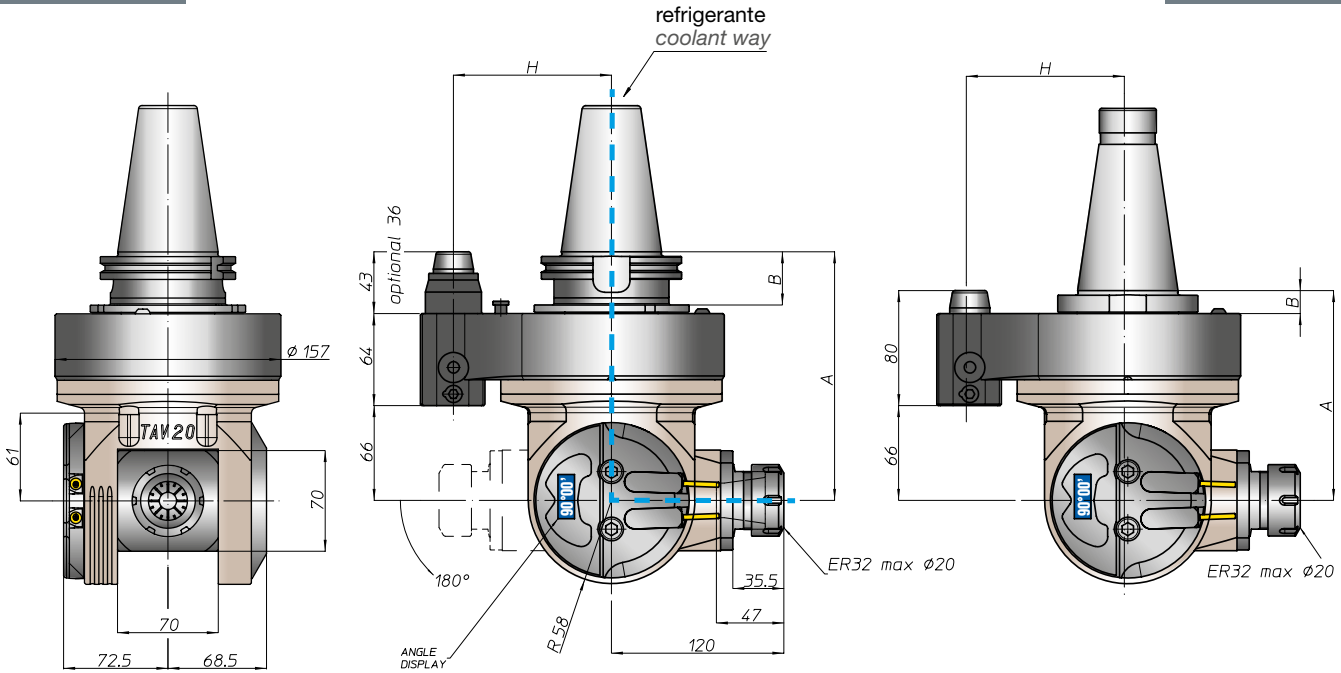
ROTAZIONE
ROTATION



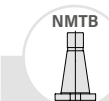
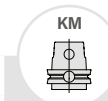
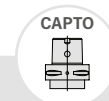
CARATTERISTICHE
FEATURES



MANDRINI
DISPONIBILI
AVAILABLE
SPINDLES



CONO
SHANK



SIZE

50 50 50 80 100 C8 100 50 50

A

173 173 181 182 177 173 149 149

B

35 35 45 46 41 16 16

H STANDARD

110 110 110 110 110 110 110 110

H OPTIONAL

For DIN69871, ANSIB5.50 and BT, dual contact as option

FH
BAH
TA.CP
TA
MOX
HT

4-82

VH

TSI/TSX

T

MT-TC-TC3

